

## Bombas centrífugas (C)

### Centrifugal Pumps (C)

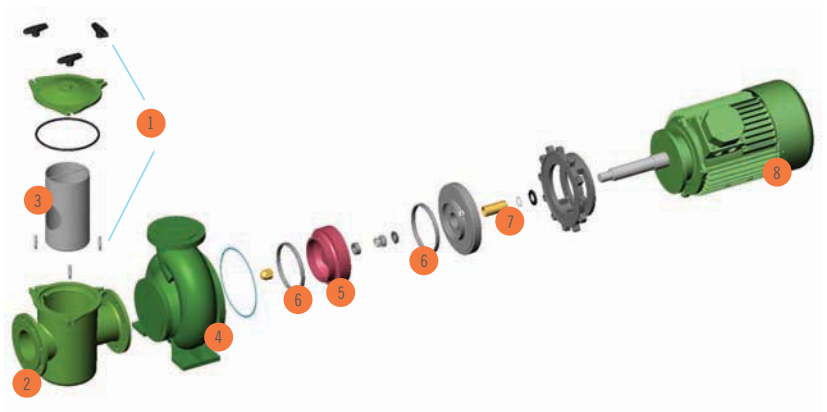


### Modelos Aral C1500 y Baikal C1500

Bomba centrífuga de 1500 r.p.m. fabricada en hierro fundido que incorpora una voluta en espiral y el prefiltro adosado. El caudal de prueba es de hasta 275 m<sup>3</sup>/h a 10 m.c.a. Las bocas incorporan conexión por brida según norma DIN-2501 PN 16. Las conexiones de aspiración disponibles van desde DN 65-2 1/2" hasta DN 150-6" y las conexiones de impulsión desde DN 50-2" hasta DN-125-5". El grado de protección del motor es IP-54 y el nivel de aislamiento de Clase F.

### Materiales empleados:

- Cuerpo y rodete de hierro fundido.
- Eje de acero inoxidable protegido con camisa de bronce.
- Sello mecánico con muelle de acero inoxidable AISI-316.
- Cesto del prefiltro de acero inoxidable AISI-304 o AISI-316 (dependiendo del modelo).



- 1 Sistema de fácil apertura / cierre de prefiltro.
- 2 Bridas normalizadas DIN.
- 3 Cesto acero inoxidable.
- 4 Cuerpo bomba de medidas normalizadas.
- 5 Rodete equilibrado dinámicamente.
- 6 Anillos de desgaste en bronce.
- 7 Camisa de protección en bronce.
- 8 Motor eurotensión, aislamiento clase F.

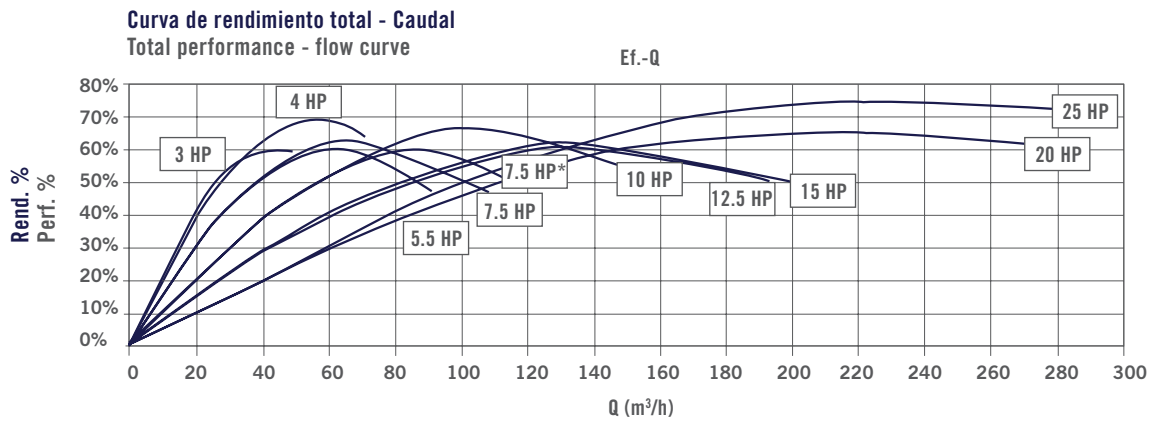
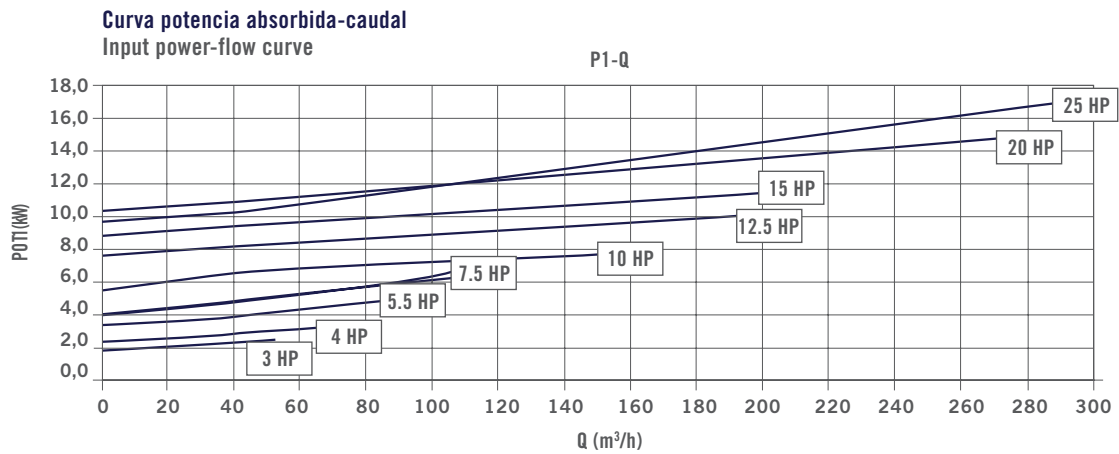
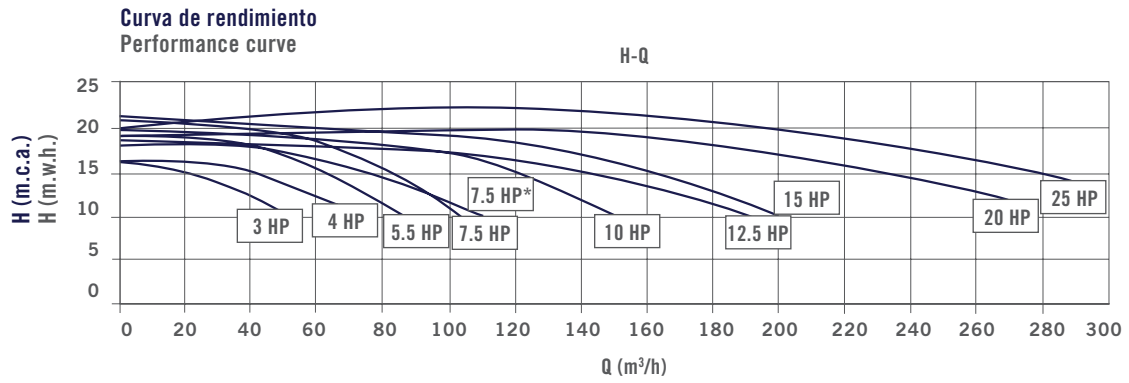
### Aral C1500 and Baikal C1500 models

1500 r.p.m. centrifugal pump, in cast iron with built-in volute and pre-filter. Flow up to 275 m<sup>3</sup>/h at 10 m.w.c. Outlets include flange connections in accordance with DIN-2501 PN16 standard. Suction connections from DN 65-2 1/2" to DN 150-6", with discharge connections from DN 50-2" to DN 125-5". The motor complies with IP54 protection standards and Class F insulation.

### Materials:

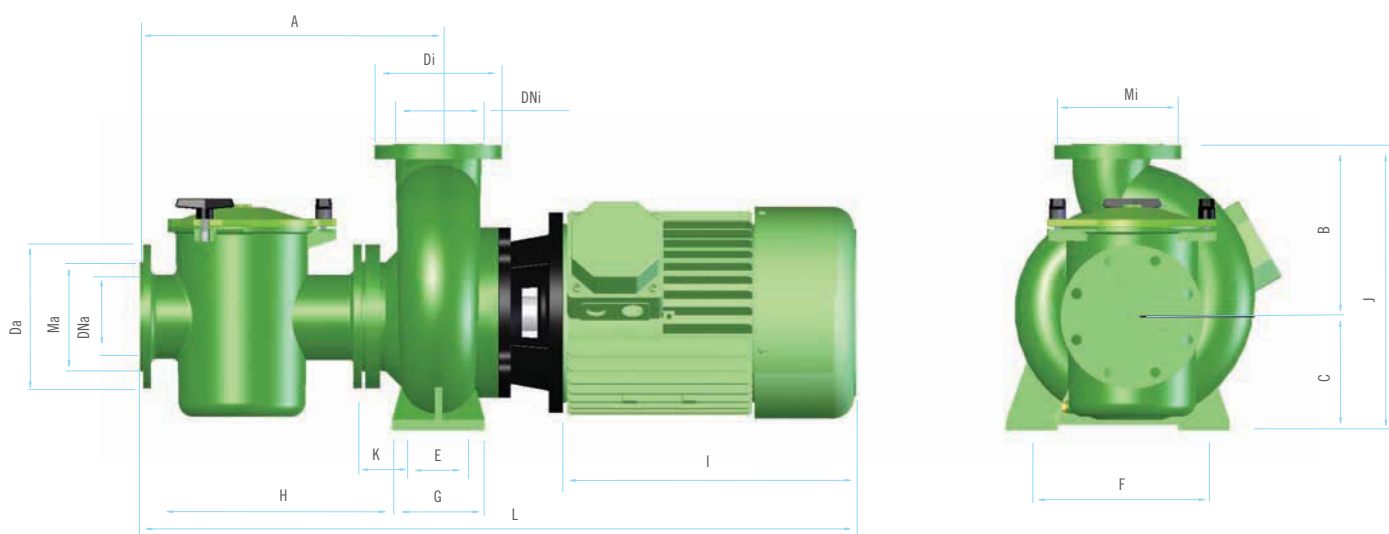
- Pump housing and impeller in cast iron.
- Stainless steel shaft protected by bronze sleeve.
- AISI-316 stainless steel spring-loaded mechanical seal.
- AISI-304 or AISI-316 stainless steel pre-filter strainer basket (depending on model).

- 1 Easy open / close pre-filter.
- 2 DIN Standard flanges.
- 3 Stainless steel strainer basket.
- 4 Standard measurement pump housing.
- 5 Dynamically balanced impeller.
- 6 Bronze wear ring.
- 7 Bronze protector sleeve.
- 8 Eurotension motor, Class F insulation.



# Bombas centrífugas Aral C1500

## Aral C1500 Centrifugal Pumps



### Dimensiones Measurements

| Aral C1500    | A   | B     | C   | Da  | Di  | DNa         | DNi         | E   | F   | G   | H   | I   | J     | K  | L    | Ma  | Mi  |
|---------------|-----|-------|-----|-----|-----|-------------|-------------|-----|-----|-----|-----|-----|-------|----|------|-----|-----|
| 01208         | 482 | 200   | 160 | 185 | 165 | 65 - 2 1/2" | 50 - 2"     | 70  | 212 | 100 | 432 | 270 | 360   | 94 | 880  | 145 | 125 |
| 01209 / 01210 | 482 | 228   | 180 | 200 | 188 | 80 - 3"     | 65 - 2 1/2" | 95  | 250 | 125 | 419 | 310 | 408   | 50 | 880  | 160 | 145 |
| 01211 / 01212 | 484 | 252,5 | 196 | 200 | 188 | 80 - 3"     | 65 - 2 1/2" | 120 | 280 | 162 | 403 | 333 | 448,5 | 34 | 967  | 160 | 145 |
| 01213 / 01214 | 484 | 252,5 | 196 | 200 | 188 | 80 - 3"     | 65 - 2 1/2" | 120 | 280 | 162 | 403 | 410 | 448,5 | 39 | 1044 | 160 | 145 |
| 01215 / 01216 | 514 | 285,5 | 201 | 220 | 200 | 100 - 4"    | 80 - 3"     | 120 | 315 | 162 | 433 | 410 | 486,5 | 69 | 1072 | 180 | 160 |
| 01217 / 01218 | 514 | 285,5 | 201 | 220 | 200 | 100 - 4"    | 80 - 3"     | 120 | 315 | 162 | 433 | 450 | 486,5 | 69 | 1112 | 180 | 160 |
| 01219 / 01220 | 522 | 280   | 224 | 250 | 222 | 125 - 5"    | 100 - 4"    | 120 | 315 | 162 | 441 | 450 | 504   | 77 | 1128 | 210 | 180 |
| 01221 / 01222 | 522 | 280   | 224 | 250 | 222 | 125 - 5"    | 100 - 4"    | 120 | 315 | 162 | 441 | 490 | 504   | 77 | 1188 | 210 | 180 |
| 01223 / 01224 | 747 | 356   | 225 | 285 | 250 | 150 - 6"    | 125 - 5"    | 120 | 315 | 162 | 668 | 520 | 611   | 77 | 1438 | 240 | 210 |
| 01225 / 01226 | 747 | 356   | 225 | 285 | 250 | 150 - 6"    | 125 - 5"    | 120 | 315 | 162 | 668 | 555 | 611   | 77 | 1473 | 240 | 210 |

Medidas en mm  
Sizes in mm

### Características técnicas Technical data

| Aral   | Voltaje<br>Voltage<br>(V) | Intensidad (A)<br>Intensity (A) |           | Potencia<br>Power |      | Conexión aspiración<br>Inlet connections |           |     |    |    | Conexión impulsión<br>Outlet connections |           |     |    |    |
|--------|---------------------------|---------------------------------|-----------|-------------------|------|--|-----------|-----|----|----|--|-----------|-----|----|----|
|        |                           | 230 V III                       | 400 V III | kW                | CV   | Da                                       | Dna       | Pa  | Qa |    | Da                                       | Dna       | Pa  | Qa |    |
|        |                           |                                 |           |                   |      |  |           |     | Nº | Ø  |  |           |     | Nº | Ø  |
| 01208  | 230/400                   | 9,8                             | 5,7       | 2,20              | 3    | 185                                      | 65-2 1/2" | 145 | 8  | 18 | 165                                      | 50-2"     | 125 | 4  | 18 |
| 01209  | 230/400                   | 12,1                            | 7         | 3                 | 4    | 200                                      | 80-3"     | 160 | 8  | 18 | 185                                      | 65-2 1/2" | 145 | 4  | 18 |
| 01210  | 400/690                   | -                               | 7         |                   |      |  |           |     |    |    |  |           |     |    |    |
| 01211  | 230/400                   | 17                              | 9,7       | 4                 | 5,5  | 200                                      | 80-3"     | 160 | 8  | 18 | 185                                      | 65-2 1/2" | 145 | 4  | 18 |
| 01212  | 400/690                   | -                               | 9,7       |                   |      |  |           |     |    |    |  |           |     |    |    |
| 01213  | 230/400                   | 21,3                            | 12,3      | 5,5               | 7,5  | 200                                      | 80-3"     | 160 | 8  | 18 | 185                                      | 65-2 1/2" | 145 | 4  | 18 |
| 01214  | 400/690                   | -                               | 12,3      |                   |      |  |           |     |    |    |  |           |     |    |    |
| 01215  | 230/400                   | 21,3                            | 12,3      | 5,5               | 7,5  | 220                                      | 100-4"    | 180 | 8  | 18 | 200                                      | 80-3"     | 160 | 8  | 18 |
| 01216  | 400/690                   | -                               | 12,3      |                   |      |  |           |     |    |    |  |           |     |    |    |
| 01217  | 230/400                   | 28,4                            | 16,4      | 7,5               | 10   | 220                                      | 100-4"    | 180 | 8  | 18 | 200                                      | 80-3"     | 160 | 8  | 18 |
| 01218  | 400/690                   | -                               | 16,4      |                   |      |  |           |     |    |    |  |           |     |    |    |
| 01219  | 230/400                   | 32,9                            | 19        | 9,20              | 12,5 | 250                                      | 125-5"    | 210 | 8  | 18 | 220                                      | 100-4"    | 180 | 8  | 18 |
| 01220  | 400/690                   | -                               | 19        |                   |      |  |           |     |    |    |  |           |     |    |    |
| 01221  | 230/400                   | 42                              | 24        | 11                | 15   | 250                                      | 125-5"    | 210 | 8  | 18 | 220                                      | 100-4"    | 180 | 8  | 18 |
| 01222  | 400/690                   | -                               | 24        |                   |      |  |           |     |    |    |  |           |     |    |    |
| *01223 | 230/400                   | 53,7                            | 32        | 15                | 20   | 285                                      | 150-6"    | 240 | 8  | 22 | 250                                      | 125-5"    | 210 | 8  | 18 |
| *01224 | 400/690                   | -                               | 32        |                   |      |  |           |     |    |    |  |           |     |    |    |
| *01225 | 230/400                   | 67,5                            | 39        | 18,40             | 25   | 285                                      | 150-6"    | 240 | 8  | 22 | 250                                      | 125-5"    | 210 | 8  | 18 |
| *01226 | 400/690                   | -                               | 39        |                   |      |  |           |     |    |    |  |           |     |    |    |

\*Con prefiltro de 37 l  
\*With 37 l pre-filter