

SERIE: G

Equipos hidroneumáticos de presión sobre bancada

APLICACIONES

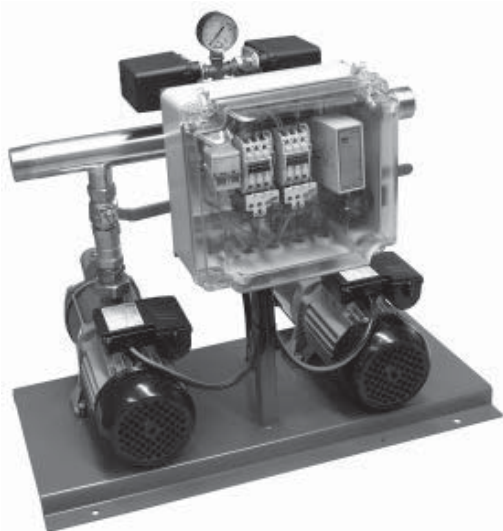
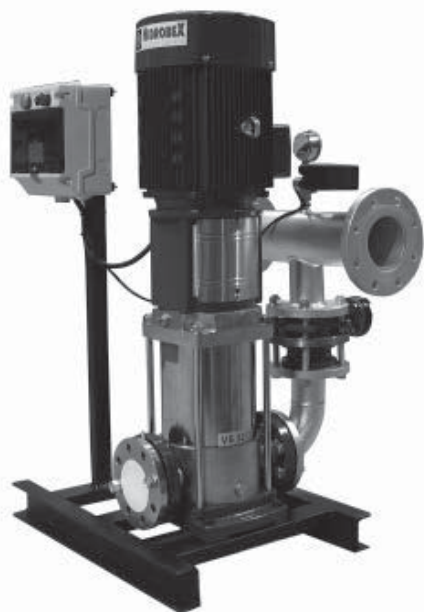
Equipos hidroneumáticos de presión para el suministro automático de agua para todas aquellas instalaciones donde se precise agua a presión a caudal variable. Aplicables a edificios de viviendas, apartamentos, hoteles, colegios, urbanizaciones, procesos industriales y en general a todas aquellas instalaciones que precisen gran caudal y presión. Totalmente automatizados y silenciosos.

En configuración standard se fabrican con una, dos, tres o cuatro bombas. Para otros rendimientos (caudales, alturas o número de bombas diferentes), consultar.

Para cada equipo deberá preverse el montaje de un acumulador de membrana o depósito galvanizado con su correspondiente inyector de aire. Para el cálculo del mismo consulte las páginas sucesivas o el apartado de información técnica en este mismo catálogo.

COMPOSICIÓN

- Electrobomba /s centrífuga monobloc, horizontal o vertical, con motor monofásico a 230 V – 50 Hz o trifásico a 230/400 V – 50 Hz, asíncrono, servicio continuo, protección IP44 o IP54 y asilamiento clase F o B.
- Bancada metálica con soporte para cuadro.
- Cuadro eléctrico de maniobra y protección (Con alternancia en todas las bombas cuando el mismo controla dos o más bombas).
- Colector de impulsión.
- Presostato /s.
- Manómetro.
- Válvula /s de retención a la impulsión de la bomba.
- Válvula /s de bola a la impulsión de la bomba.
- Válvula /s de cierre aislamiento presostato /s y manómetro.



Para el cálculo de un grupo a presión, consulte el apartado de **información técnica** en este mismo catálogo.

SERIE: G

Equipos hidroneumáticos de presión sobre bancada

Modelos SERIE: SIMPLE (1 bomba)

SERIE	FORMA	VOLTAJE	Modelo	Código	Bomba	Potencia P2	Caudal	Altura	BOCAS		PVP
						TOTAL CV	l/min.	m.c.a.	Asp. Bomba	Colector imp.	€572
SIMPLE	HORIZONTAL	MONOFÁSICO	GSEH-100M	200190H	EH-100	1	10-90	42-24	1"	1 1/2"	564
			GSEH-120M	5276H	EH-125	1,25	10-90	52-34	1"	1 1/2"	586
			GSP3-100M	200190	P3-100/5	1	10-80	49-14	1"	1 1/2"	699
			GSP5-120M	5276	P5-120/4	1,2	10-140	43-6	1"	1 1/2"	726
			GSP5-150M	7766	P5-150/5	1,5	10-140	56-12	1"	1 1/2"	821
			GSKB-160M	200358	KB 160	1,5	25-125	51-34	1 1/4"	1 1/2"	899
			GS2HCP 140HM	200358H	2HCP 140H	1,5	20-140	45-22	1 1/2"	1 1/2"	690
			GSP7-180M	5277	P7-180/4	1,8	10-160	49-17	1 1/4"	1 1/2"	815
			GSKB-210M	200359	KB 210	2	25-150	56-31	1 1/4"	1 1/2"	946
			GS2HCP 160M	200359H	2HCP160	2	20-160	61-24	1 1/2"	1 1/2"	728
			GSP7-250M	5277H	P7-250/5	2,5	10-160	69-25	1 1/4"	1 1/2"	854
	HORIZONTAL	TRIFÁSICO	GSP3-100T	GSP3100T	P3-100/5T	1	10-80	49-14	1"	1 1/2"	726
			GSP5-120T	GSP5120T	P5-120/4T	1,2	10-140	43-6	1"	1 1/2"	729
			GSP5-150T	200139	P5-150/5T	1,5	10-140	56-12	1"	1 1/2"	816
			GSP7-180T	200135	P7-180/4T	1,8	10-160	49-17	1 1/4"	1 1/2"	800
			GSKB-210T	200653	KB 210T	2	25-150	60-31	1 1/4"	1 1/2"	931
			GS2HCP 160T	200653H	2HCP 160T	2	20-160	56-26	1 1/2"	1 1/2"	729
			GSP7-250T	200135H	P7-250/5T	2,5	10-160	69-25	1 1/4"	1 1/2"	833
			GSP18-250T	202550	P18-250/3T	2,5	100-420	33-9	2"	2"	912
			GSP7-300T	7854	P7-300/6T	3	10-160	71-26	1 1/4"	1 1/2"	866
			GSKB-310T	7797	KB 310T	3	25-150	62-37	1 1/4"	1 1/2"	941
			GS2HCP-180	7797H	2HCP-180	3	20-180	58-21	1 1/2"	1 1/2"	743
			GSP18-400T	201770	P18-400/4T	4	100-400	33-10	2"	2"	1.076
			GSKB-400T	7646	KB 400T	4	25-200	64-44	1 1/2"	2"	1.376
			GSMN32-160A	GSMN32160A	MN 32-160A	4	100-400	36-26	2 1/2"	2"	1.348
			GSKB-550T	7892	KB 550T	5,5	25-200	77-58	1 1/2"	2"	1.408
			GSMN32-200C	GSMN32200C	MN 32-200C	5,5	100-400	40-30	2 1/2"	2"	1.546
			GSMN40-160A	GSMN40160A	MN 40-160A	5,5	150-600	35-27	3 1/2"	2 1/2"	1.549
	GSKB-751RTT	GSKB751RTT	KB 751RT	7,5 ⁽¹⁾	25-250	89-62	1 1/2"	2"	1.770		
	GSMN32-200B	GSMN32200B	MN 32-200B	7,5 ⁽¹⁾	100-550	52-33	2 1/2"	2 1/2"	1.903		
	HORIZONTAL	Mono	GSP7V-180M	5278	P7V-180/4	1,8	10-180	47-17	1 1/4"	2"	937
			GSP7V-250M	5279	P7V-250/5	2,5	10-180	59-24	1 1/4"	2"	970
			GSP5V-250M	5279G	P5V-250/5	2,5	10-180	59-24	1 1/4"	2"	1.097
VERTICAL	TRIFÁSICO	GSEV-200T	5040	EV-200T	2	20-100	30-75	1"	1 1/2"	738	
		GSEV-300T	5041	EV-300T	3	20-100	20-100	1"	1 1/2"	817	
		GSP7V-180T	200196	P7V-180/4T	1,8	10-180	47-17	1 1/4"	2"	924	
		GSP7V-250T	5280	P7V-250/5T	2,5	10-180	59-24	1 1/4"	2"	952	
		GSP5V-250T	GSP5V250T	P5V-250/8T	2,5	10-140	89-19	1 1/4"	2"	1.077	
		GSP18V-250T	GSP18V250T	P18V-250/3T	2,5	60-440	34-8	2"	2"	989	
		GSP7V-300T	5281	P7V-300/6T	3	10-180	71-26	1 1/4"	2"	977	
		GSP5V-300T	GSP5V300T	P5V-300/10T	3	10-140	109-21	1 1/4"	2"	1.118	
		GSP9V-300T	GSP9V300T	P9V-300/6T	3	30-260	66-9	1 1/2"	2"	1.073	
		GSP7V-400T	200115	P7V-400/8T	4	10-180	94-33	1 1/4"	2"	1.165	
		GSP18V-400T	GSP18V400T	P18V-400/4T	4	60-440	46-11	2"	2"	1.147	
		GSP9V-400T	GSP9V400T	P9V-400/7T	4	30-260	79-10	1 1/2"	2"	1.237	
		GSP9V-500T	GSP9V500T	P9V-500/8T	5	30-260	102-13	1 1/2"	2"	1.434	
		GSP7V-550T	GSP7V550T	P7V-550/10T	5,5	10-150	121-55	1 1/4"	2"	1.373	
		GSP18V-550T	GSP18V550T	P18V-550/6T	5,5	60-440	68-19	2"	2"	1.343	
		GSKV50C12/8	GSKV50C128	ME4KV50C12/8	4	80-300	77-35	2"	3"	2.135	
		GSKV50C12/10	GSKV50C1210	ME5KV50C12/10	5,5	80-300	91-45	2"	3"	2.320	
		GSKV50C18/8	GSKV50C188	ME5KV50C18/8	5,5	100-400	78-34	2"	3"	2.239	
		GSKV50C18/11	GSKV50C1811	ME7KV50C18/11	7,5 ⁽¹⁾	100-400	108-48	2"	3"	2.588	

(1) Arranque directo, para arranque estrella-triángulo, CONSULTAR.

SERIE: G

Equipos hidroneumáticos de presión sobre bancada

Modelos SERIE: DOBLE (2 bombas)

SERIE	FORMA	VOLTAJE	Modelo	Código	Bomba	Potencia P2	Caudal	Altura	BOCAS		PVP
						TOTAL CV	l/min.	m.c.a.	Asp. Bomba	Colector imp.	€
DOBLE	HORIZONTAL	MONOFÁSICO	GDEH-100M	GDEH100M	EH-100	2	10-180	42-54	1"	1 1/2"	1.064
			GDEH-125M	GDEH125M	EH-125	2,4	10-180	42-54	1"	1 1/2"	1.089
			GDP3-100M	201857	P3-100/5	2	10-160	49-10	1"	1 1/2"	1.334
			GDP5-120M	7684	P5-120/4	2,4	10-280	43-10	1"	1 1/2"	1.389
			GDP5-150M	5284	P5-150/5	3	10-280	56-20	1"	1 1/2"	1.578
			GDKB-160M	5285	KB 160	3	25-250	51-34	1 1/4"	1 1/2"	1.658
			GD2HCP 140M	5285H	2HCP 140H	3	20-280	45-22	1 1/2"	1 1/2"	1.219
			GDP7-180M	5286	P7-180/4	3,6	10-320	49-20	1 1/4"	1 1/2"	1.567
			GDKB-210M	5287	KB 210	4	25-300	56-31	1 1/4"	1 1/2"	1.753
			GD2HCP 160M	5287H	2HCP 160M	4	20-320	56-26	1 1/2"	1 1/2"	1.271
			GDP7-250M	5286H	P7-250/5	5	10-320	61-20	1 1/4"	1 1/2"	1.644
	HORIZONTAL	TRIFÁSICO	GDP3-100T	GDP300T	P3-100/5T	2	10-160	49-10	1"	1 1/2"	1.379
			GDP5-120T	GDP5120T	P5-120/4T	2,4	10-280	43-10	1"	1 1/2"	1.385
			GDP5-150T	7899	P5-150/5T	3	10-280	56-20	1"	1 1/2"	1.559
			GDP7-180T	7880	P7-180/4T	3,6	10-320	49-20	1 1/4"	1 1/2"	1.527
			GDKB-210T	GDKB210T	KB 210T	4	25-300	60-31	1 1/4"	1 1/2"	1.713
			GD2HCP 160T	GD2XCM25160BT	2HCP 160T	4	20-320	56-26	1 1/2"	1 1/2"	1.319
			GDP7-250T	7880H	P7-250/5T	5	10-320	61-20	1 1/4"	1 1/2"	1.594
			GDP18-250T	GDP18250T	P18-250/3T	5	60-840	34-9	2"	2 1/2"	1.750
			GDP7-300T	200037	P7-300/6T	6	10-320	74-20	1 1/4"	1 1/2"	1.659
			GDKB-310T	5288	KB 310T	6	25-300	62-37	1 1/4"	1 1/2"	1.733
			GD2HCP 180T	5288H	2HCP 180T	6	20-360	66-29	1 1/2"	1 1/2"	1.347
			GDKB-400T	7783	KB 400T	8	25-400	64-44	1 1/2"	2"	2.602
			GDP18-400T	GDP18400T	P18-400/4T	8	60-840	46-14	2"	2 1/2"	2.104
			GDMN32-160A	GDMN32160A	MN 32-160A	8	100-800	36-26	2 1/2"	3"	2.563
			GDKB-550T	7915	KB 550T	11	25-400	77-58	1 1/2"	2"	2.667
	GDMN32-200C	GDMN32200C	MN 32-200C	11	100-800	40-30	2 1/2"	3"	2.958		
	GDMN40-160A	GDMN40160A	MN 40-160A	11	150-1200	35-27	3 1/2"	4"	2.964		
	GDKB-751RTT	GDKB751RTT	KB 751RT	15 ⁽¹⁾	25-500	89-62	1 1/2"	2 1/2"	3.345		
	GDMN32-200B	GDMN32200B	MN 32-200B	15 ⁽¹⁾	100-1100	52-33	2 1/2"	4"	3.648		
	VERTICAL	Mono	GDP7V-180M	5289	P7V-180/4	3,6	10-320	48-20	1 1/4"	2"	1.782
			GDP5V-180M	5267	P5V-180/6	3,6	10-320	67-12	1 1/4"	2"	1.939
			GDP7V-250M	5290	P7V-250/5	5	10-320	61-20	1 1/4"	2"	1.848
			GDP5V-250M	202030	P5V-250/8	5	10-280	89-19	1 1/4"	2"	2.103
		TRIFÁSICO	GDP7V-180T	7160	P7V-180/4T	3,6	10-320	48-20	1 1/4"	2"	1.746
			GDP7V-250T	5291	P7V-250/5T	5	10-320	61-20	1 1/4"	2"	1.802
GDP18V-250T			GDP18V250T	P18V-250/3T	5	60-880	34-6	2"	2 1/2"	1.875	
GDP5V-250T			201258	P5V-250/8T	5	10-280	89-19	1 1/4"	2"	2.053	
GDP7V-300T			5295	P7V-300/6T	6	10-320	72-30	1 1/4"	2"	1.853	
GDP5V-300T			GDP5V300T	P5V-300/10T	6	10-280	110-21	1 1/4"	2"	2.135	
GDP9V-300T			GDP9V300T	P9V-300/6T	8	30-520	66-9	1 1/2"	3"	2.044	
GDP7V-400T			200046	P7V-400/8T	8	10-320	96-30	1 1/4"	3"	2.229	
GDP9V-400T			GDP9V400T	P9V-400/7T	8	30-520	79-10	1 1/2"	3"	2.372	
GDP18V-400T			GDP18V400T	P18V-400/4T	8	60-880	46-11	2"	2 1/2"	2.191	
GDP9V-500T			GDP9V500T	P9V-500/9T	10	30-520	102-13	1 1/2"	2"	2.767	
GDP7V-550T			GDP7V550T	P7V-550/10T	11	10-320	124-44	1 1/4"	2"	2.644	
GDP18V-450T			GDP18V450T	P18V-450/5T	9	60-880	56-14	2"	2 1/2"	2.489	
GDP18V-550T			GDP18V550T	P18V-550/5T	11	60-880	68-19	2"	2 1/2"	2.583	
GDKV50C12/8			GDKV50C128	MEKV50C-12/8	8	80-600	77-35	2"	3"	4.248	
GDKV50C12/10			GDKV50C1210	ME5KV50C-12/10	11	80-600	91-45	2"	3"	4.619	
GDKV50C18/8			GDKV50C188	ME5KV50C-18/8	11	100-800	78-34	2"	3"	4.455	
GDKV50C18/11			GDKV50C1811	ME7KV50C-18/11	15 ⁽¹⁾	100-800	108-48	2"	3"	5.129	
GDP18V-750T			GDP18V750	P18V-750/8T	15 ⁽¹⁾	60-880	23-91	2"	2 1/2"	3.620	
GDVS16/4			GDVS164	VS 16-4	11	133-724	34-54	2"	3"	4.386	
GDVS16/6	9523	VS 16-6	15 ⁽¹⁾	133-724	53-82	2"	3"	5.335			
GDVS16/8	GDVS168	VS 16-8	20 ⁽²⁾	133-724	70-110	2"	3"	6.782			

(1) Arranque directo, para arranque estrella-triángulo, CONSULTAR.

(2) Arranque estrella-triángulo

SERIE: G

Equipos hidroneumáticos de presión sobre bancada

Modelos SERIE: TRIPLE (3 bombas)

SERIE	FORMA	VOLTAJE	Modelo	Código	Bomba	Potencia P2	Caudal	Altura	BOCAS		PVP
						TOTAL CV	l/min.	m.c.a.	Asp. Bomba	Colector imp.	€
TRIPLE	HORIZONTAL	MONOFÁSICO	GTP5-150M	GTP5150M	P5-150/5	4,5	10-420	56-12	1"	2 1/2"	2.749
			GTKB-160M	GTKB160M	KB 160	4,5	25-375	51-34	1 1/4"	2 1/2"	2.869
			GTP7-180M	GTP7180M	P7-180/4	5,4	10-480	49-17	1 1/4"	2 1/2"	2.733
			GTKB-210M	GTKB210M	KB 210	6	25-450	56-31	1 1/4"	2 1/2"	3.011
			GTP7-250M	GTP7250M	P7-250/5	7,5	10-480	61-25	1 1/4"	2 1/2"	2.849
		TRIFÁSICO	GTP5-150T	GTP5150T	P5-150/5T	4,5	10-420	56-12	1"	2 1/2"	2.721
			GTP7-180T	GTP7180T	P7-180/4T	5,4	10-480	49-17	1 1/4"	2 1/2"	2.673
			GTKB-210T	GTKB210T	KB 210	6	25-450	60-31	1 1/4"	2 1/2"	2.952
			GTP7-250T	GTP7250T	P7-250/5T	7,5	10-480	61-25	1 1/4"	2 1/2"	2.774
			GTP18-250T	GTP18250T	P18-250/3T	7,5	90-1260	34-9	1 1/2"	3"	3.049
			GTP7-300T	GTP7300T	P7-300/6T	9	10-480	74-24	1 1/4"	2 1/2"	2.873
			GTKB-310T	GTKB310T	KB 310	9	25-450	62-37	1 1/4"	2 1/2"	2.983
			GTP18-400T	GTP18400T	GTP18-400/3T	12	90-1260	46-14	1 1/2"	3"	3.581
			GTKB-400T	GTKB400T	KB 400	12	25-600	64-44	1 1/2"	2 1/2"	4.329
			GTMN32-160A	GTMN32160A	MN 32-160A	12	100-1200	36-26	2 1/2"	4"	4.213
			GTKB-550T	GTKB550T	KB 550	16,5	25-600	77-58	1 1/2"	2 1/2"	4.427
	Mono	GTMN32-200C	GTMN32200C	MN 32-200C	16,5	100-1200	40-30	2 1/2"	4"	4.806	
		GTMN40-160A	GTMN40160A	MN 40-160A	16,5	150-1800	35-27	3 1/2"	4"	4.726	
		GTKB-751RTT	GTKB751RTT	KB 751RT	22,5 ⁽²⁾	25-750	89-62	1 1/2"	3"	6.616	
		GTMN32-200B	GTMN32200B	MN 32-200B	22,5 ⁽²⁾	100-1650	52-33	2 1/2"	4"	7.157	
		GTMN32-200A	GTMN32200A	MN 32-200A	30 ⁽²⁾	100-1650	60-42	2 1/2"	4"	CONSULTAR	
		GTMN32-250C	GTMN32250C	MN 32-250C	37,5 ⁽²⁾	125-1650	68-50	2 1/2"	4"	CONSULTAR	
		GTMN32-250B	GTMN32250B	MN 32-250B	45 ⁽²⁾	125-1650	81-66	2 1/2"	4"	CONSULTAR	
		GTP7V-180M	GTP7V180M	P7V-180/4	5,4	10-480	49-17	1 1/4"	2 1/2"	3.064	
	GTP7V-250M	GTP7V250M	P7V-250/5	7,5	10-480	61-25	1 1/4"	2 1/2"	3.163		
	VERTICAL	Mono	GTP7V-180T	GTP7V180T	P7V-180/4T	5,4	10-480	49-17	1 1/4"	2 1/2"	3.009
			GTP7V-250T	GTP7V250T	P7V-250/5T	7,5	10-480	61-25	1 1/4"	2 1/2"	3.095
		TRIFÁSICO	GTP5V-250T	GTP5V250T	P5V-250/8T	7,5	10-420	88-19	1 1/4"	2 1/2"	3.470
			GTP18V-250T	GTP18V250T	P18V-250/3T	7,5	90-1320	34-6	2"	3"	3.179
			GTP7V-300T	GTP7V300T	P7V-300/6T	9	10-480	74-20	1 1/4"	2 1/2"	3.171
			GTP5V-300T	GTP5V300T	P5V-300/10T	9	10-420	108-21	1 1/4"	2 1/2"	3.594
			GTP9V-300T	GTP9V300T	P9V-300/6T	9	30-780	66-9	1 1/2"	3"	3.457
GTP7V-400T			GTP7V400T	P7V-400/8T	12	10-480	93-30	1 1/4"	2 1/2"	3.734	
GTP9V-400T			GTP9V400T	P9V-400/7T	12	30-780	79-10	1 1/2"	3"	3.949	
GTP18V-400T			GTP18V400T	P18V-400/4T	12	90-1320	46-11	2"	3"	3.654	
GTP9V-500T			GTP9V500T	P9V-500/9T	15	30-780	102-13	1 1/2"	3"	4.542	
GTP7V-550T			GTP7V550T	P7V-550/10T	16,5	10-480	124-44	1 1/4"	2 1/2"	4.358	
GTP18V-550T			GTP18V550T	P18V-550/5T	16,5	90-1320	68-19	2"	3"	4.243	
GTKV50C12/8			GTKV50C128	ME4KV50C-12/8	12	80-900	77-35	2"	4"	6.405	
GTKV50C12/10			GTKV50C1210	ME5KV50C-12/10	16,5	80-900	91-45	2"	4"	6.960	
GTKV50C18/8			GTKV50C188	MR5KV50C-18/8	16,5	100-1200	78-34	2"	4"	6.715	
GTKV50C18/11			GTKV50C1811	ME7KV50C-18/11	22,5 ⁽²⁾	100-1200	108-48	2"	4"	9.041	
GTP18V-750T			GTP18V750T	P18V-750/8T	22,5 ⁽²⁾	60-1320	23-91	2"	3"	6.042	
GTVS16/4			GTVS164	VS 16-4	16,5	133-1086	34-54	2"	3"	6.624	
GTVS16/6			GTVS166	VS 16-6	22,5 ⁽²⁾	133-1086	52-82	2"	3"	9.314	
GTVS16/8	GTVS168	VS 16-8	30 ⁽²⁾	133-1086	70-110	2"	3"	10.083			

(2) Arranque estrella-triángulo

SERIE: G

Equipos hidroneumáticos de presión sobre bancada

Modelos SERIE: CUÁDRUPLE (4 bombas)

SERIE	FORMA	VOLTAJE	Modelo	Código	Bomba	Potencia P2	Caudal	Altura	BOCAS	
						TOTAL CV	l/min.	m.c.a.	Asp. Bomba	Colector imp.
CUÁDRUPLE	HORIZONTAL	MONOFÁSICO	G4P5-150M	G4P5150M	P5-150/5	6	10-560	56-12	1"	3"
			G4KB-160M	G4KB160M	KB 160	6	25-500	51-34	1 ¼"	3"
			G4P7-180M	G4P7180M	P7-180/4	7,2	10-640	17-49	1 ¼"	3"
			G4KB-210M	G4KB210M	KB 210	8	25-600	56-31	1 ¼"	3"
			G4P7-250M	G4P7250M	P7-250/5	10	10-640	25-61	1 ¼"	3"
		TRIFÁSICO	G4P5-150T	G4P5150T	P5-150/5T	6	10-560	56-12	1"	3"
			G4P7-180T	G4P7180T	P7-180/4T	7,2	10-640	17-49	1 ¼"	3"
			G4KB-210T	G4KB210T	KB 210	8	25-600	60-31	1 ¼"	3"
			G4P7-250T	G4P7250T	P7-250/5T	10	10-640	25-61	1 ¼"	3"
			G4P18-250T	G4P18250T	P18-250/3T	10	60-1680	33-9	1 ½"	4"
			G4P7-300T	G4P7300T	P7-300/6T	12	10-640	74-27	1 ¼"	3"
			G4KB-310T	G4KB310T	KB 310	12	25-600	62-37	1 ¼"	3"
			G4P18-400T	G4P18400T	P18-400/4T	16	60-1680	45-14	1 ½"	4"
			G4KB-400T	G4KB400T	KB 400	16	25-800	64-44	1 ½"	3"
			G4MN32-160A	G4MN32160A	MN 32-160A	16	100-1600	36-26	2 ½"	4"
			G4KB-550T	G4KB550T	KB 550	22	25-800	77-58	1 ½"	3"
	VERTICAL	Mono	G4P7V-180T	G4P7V180T	P7V-180/4T	7,2	10-640	48-17	1 ¼"	3"
			G4P7V-250T	G4P7V250T	P7V-250/5T	10	10-640	61-25	1 ¼"	3"
		TRIFÁSICO	G4P18V-250T	G4P18V250T	P18V-250/3T	10	60-1680	33-9	1 ½"	4"
			G4P5V-250T	G4P5V250T	P5V-250/8T	10	10-560	85-19	1 ¼"	3"
			G4P7V-300T	G4P7V300T	P7V-300/6T	12	10-640	72-27	1 ¼"	3"
			G4P5V-300T	G4P5V300T	P5V-300/10T	12	10-560	104-21	1 ¼"	3"
			G4P9V-300T	G4P9V300T	P9V-300/6T	12	60-1040	64-9	1 ½"	4"
			G4P7V-400T	G4P7V400T	P7V-400/8T	16	10-640	96-33	1 ¼"	3"
			G4P18V-400T	G4P18V400T	P18V-400/4T	16	60-1680	45-14	1 ½"	4"
			G4P9V-400T	G4P9V400T	P9V-400/7T	16	60-1040	76-10	1 ½"	4"
			G4P9V-500T	G4P9V500T	P9V-500/10T	20	60-1040	99-13	1 ½"	4"
			G4P7V-550T	G4P7V550T	P7V-550/10T	22	10-640	124-44	1 ¼"	3"
			G4P18V-550T	G4P18V550T	P18V-550/6T	22	60-1680	68-19	1 ½"	4"
			G4KV50C12/8	G4KV50C128	ME4KV50C-12/8	16	80-1200	77-35	2"	4"
			G4KV50C12/10	G4KV50C1210	ME5KV50C-12/10	22	80-1200	91-41	2"	4"
	G4KV50C18/8	G4KV50C188	ME5KV50C-18/8	22	100-1600	78-34	2"	4"		
G4KV50C18/11	G4KV50C1811	ME7KV50C-18/11	30	100-1600	108-48	2"	4"			

Para PVP, CONSULTAR.