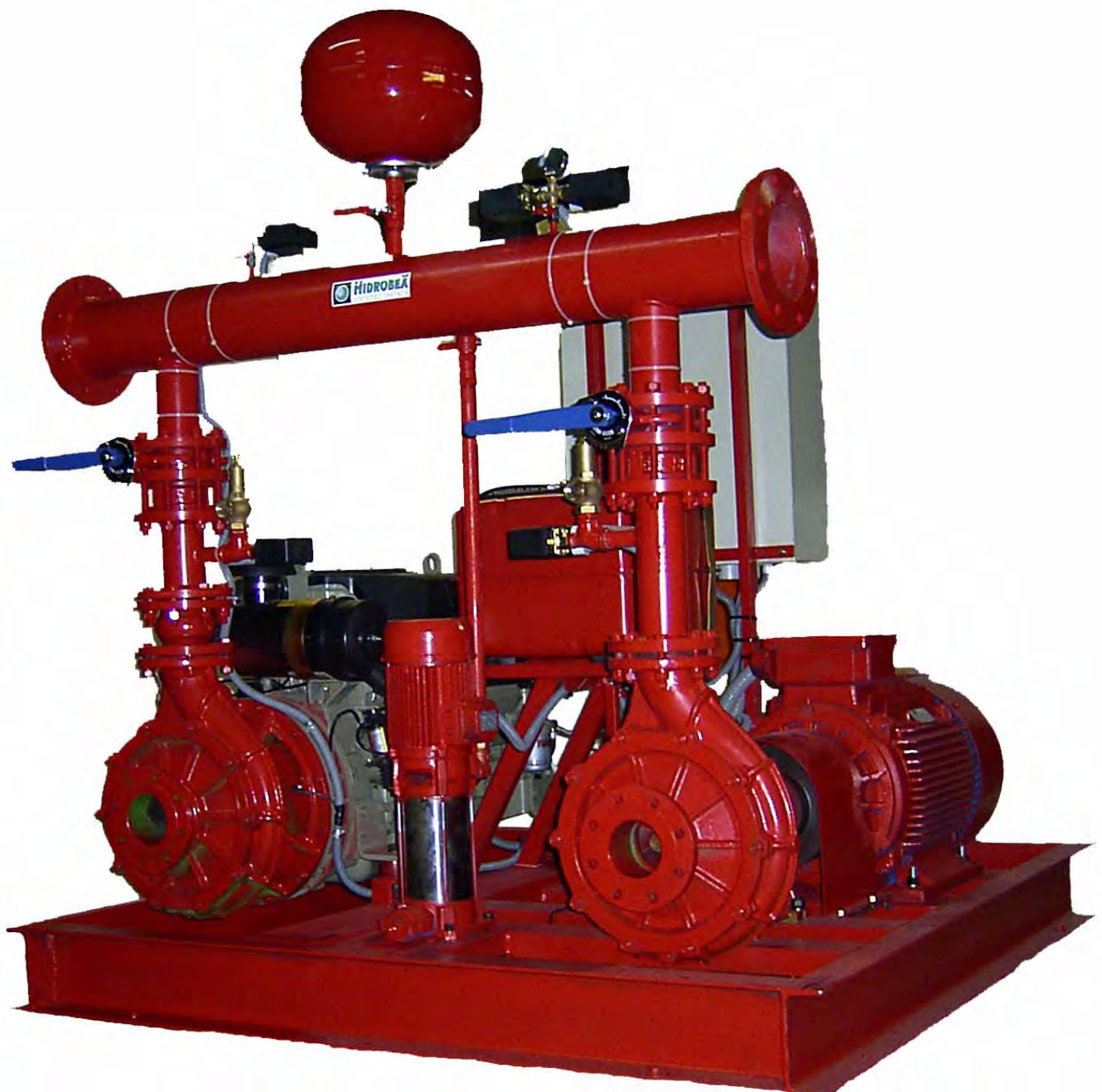


CONTRAINCENDIOS GCDEU

1 Bomba principal eléctrica+ 1 Bomba principal diesel + jockey



MODELO	BOMBA PRINCIPAL ELECTRICA			BOMBA PRINCIPAL DIESEL				JOCKEY	COLECTOR IMPULSION	MODELO ACUMULADOR	
	MODELO	CV	Ø asp.	BOMBA	MOTOR	CV	Ø asp.			CV	(l)
GCDEU 12.50	KM 550T	5,5	2"	ATS-325	RY-70	5,6	2"	2,5	DN50 - 2"	24	8
GCDEU 12.70	KB 750RT	7,5	1 ¼"	A-640	4LD640	11	DN80	2,5	DN50 - 2"	24	8
GCDEU 12.80	KB 1000T	10	1 ½"	A-820	4LD820	15	DN80	3	DN50 - 2"	24	16
GCDEU 12.85	KB 1250T	12,5	1 ½"	AZ-660	25LD330/2	14	1 ¼"	3	DN50 - 2"	24	16
GCDEU 12.90	KB 1500T	15	2"	AZ-660	25LD330/2	14	1 ¼"	3	DN50 - 2"	24	16
GCDEU 18.40	MN 32-200B	7,5	DN50	A-325	RY-70	5,6	2"	1,5	DN50 - 2"	24	8
GCDEU 18.45	MN 32-200B	7,5	DN50	ATS-325	RY-70	5,6	2"	1,5	DN50 - 2"	24	8
GCDEU 18.50	MN 32-200A	10	DN50	A-440	RY-110	9	2"	2,5	DN50 - 2"	24	8
GCDEU 18.55	MN 32-200A	10	DN50	A-440	RY-110	9	2"	2,5	DN50 - 2"	24	8
GCDEU 18.60	MN 32-250C	12,5	DN50	A-440	RY-110	9	2"	2,5	DN50 - 2"	24	8
GCDEU 18.65	MN 32-250B	15	DN50	A-640	4LD640	11	DN80	2,5	DN50 - 2"	24	8
GCDEU 18.70	MN 32-250B	15	DN50	A-820	4LD820	15	DN80	2,5	DN50 - 2"	24	8
GCDEU 18.75	MN 32-250B	15	DN50	A-820	4LD820	15	DN80	2,5	DN50 - 2"	24	16
GCDEU 18.80	KB 1250T	12,5	1 ½"	A-820	4LD820	15	DN80	3	DN50 - 2"	24	16
GCDEU 18.85	KB 1500T	15	2"	A-1300	9LD626/2	24	DN80	3	DN50 - 2"	24	16
GCDEU 18.90	MN 32-250A	20	DN50	A-1300	9LD626/2	24	DN80	3	DN50 - 2"	24	16
GCDEU 24.40	MN 32-200B	7,5	DN50	A-325	RY-70	5,6	2"	1,5	DN65 - 2½"	24	8
GCDEU 24.45	MN 40-200B	7,5	DN65	A-440	RY-110	9	2"	1,5	DN65 - 2½"	24	8
GCDEU 24.50	MN 32-200A	10	DN50	A-440	RY-110	9	2"	2,5	DN65 - 2½"	24	8
GCDEU 24.55	MN 40-200A	10	DN65	A-440	RY-110	9	2"	2,5	DN65 - 2½"	24	8
GCDEU 24.60	MN 40-250B	15	DN65	A-440	RY-110	9	2"	2,5	DN65 - 2½"	24	8
GCDEU 24.65	MN 40-250B	15	DN65	A-640	4LD640	11	DN80	2,5	DN65 - 2½"	24	8
GCDEU 24.70	MN 40-250B	15	DN65	A-820	4LD820	15	DN80	2,5	DN65 - 2½"	24	8
GCDEU 24.75	MN 40-250A	20	DN65	A-820	4LD820	15	DN80	2,5	DN65 - 2½"	24	16
GCDEU 24.80	MN 40-250A	20	DN65	A-1300	9LD626/2	24	DN80	3	DN65 - 2½"	24	16
GCDEU 24.85	MN 40-250A	20	DN65	A-1300	9LD626/2	24	DN80	3	DN65 - 2½"	24	16
GCDEU 24.90	ME15KV65-30/5T	15	DN65	A-1300	9LD626/2	24	DN80	3	DN65 - 2½"	24	16
GCDEU 30.40	MN 40-200A	10	DN65	A-440	RY-110	9	2"	1,5	DN65 - 2½"	24	8
GCDEU 30.45	MN 40-200A	10	DN65	A-440	RY-110	9	2"	1,5	DN65 - 2½"	24	8
GCDEU 30.50	MN 40-200A	10	DN65	A-440	RY-110	9	2"	2,5	DN65 - 2½"	24	8
GCDEU 30.55	MN 40-250B	15	DN65	A-440	RY-110	9	2"	2,5	DN65 - 2½"	24	8
GCDEU 30.60	MN 40-250B	15	DN65	A-640	4LD640	11	DN80	2,5	DN65 - 2½"	24	8
GCDEU 30.65	MN 40-250B	15	DN65	A-820	4LD820	15	DN80	2,5	DN65 - 2½"	24	8
GCDEU 30.70	MN 40-250A	20	DN65	A-1300	9LD626/2	24	DN80	2,5	DN65 - 2½"	24	8
GCDEU 30.75	MN 40-250A	20	DN65	A-1300	9LD626/2	24	DN80	2,5	DN65 - 2½"	24	16
GCDEU 30.80	MN 40-250A	20	DN65	A-1300	9LD626/2	24	DN80	3	DN65 - 2½"	24	16
GCDEU 30.85	MN 40-250A	20	DN65	A-1300	9LD626/2	24	DN80	3	DN65 - 2½"	24	16
GCDEU 30.90	ME15KV65-32/3	15	DN65	A-1300	9LD626/2	24	DN80	3	DN65 - 2½"	24	16
GCDEU 30.100	ME17KV65-30/6T	17,5	DN65	A-1300	9LD626/2	24	DN80	3	DN65 - 2½"	24	16

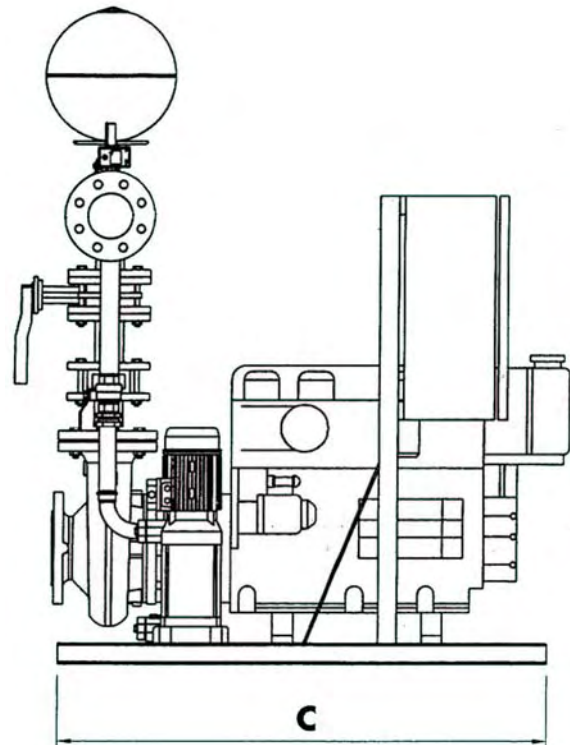
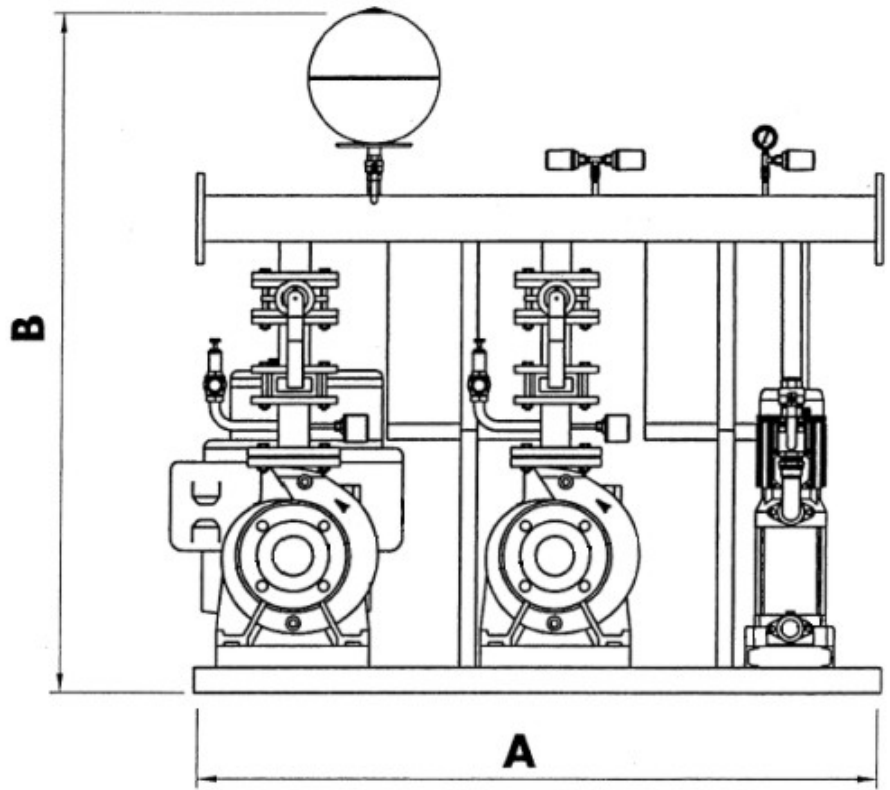
MODELO	BOMBA PRINCIPAL ELECTRICA			BOMBA PRINCIPAL DIESEL				JOCKEY	COLECTOR IMPULSION	MODELO ACUMULADOR	
	MODELO	CV	Ø asp.	BOMBA	MOTOR	CV	Ø asp.	CV		(l)	(bar)
GCDEU 36.40	MN 50-200C	12,5	DN65	A-640	4LD640	11	DN80	1,5	DN65 - 2½"	24	8
GCDEU 36.45	MN 50-200B	15	DN65	A-640	4LD640	11	DN80	1,5	DN65 - 2½"	24	8
GCDEU 36.50	MN 50-200A	20	DN65	A-640	4LD640	11	DN80	2,5	DN65 - 2½"	24	8
GCDEU 36.55	MN 50-200A	20	DN65	A-820	4LD820	15	DN80	2,5	DN65 - 2½"	24	8
GCDEU 36.60	MN 50-250C	20	DN65	A-820	4LD820	15	DN80	2,5	DN65 - 2½"	24	8
GCDEU 36.65	MN 50-250C	20	DN65	A-1300	9LD626/2	24	DN80	2,5	DN65 - 2½"	24	8
GCDEU 36.70	MN 50-250C	20	DN65	A-1300	9LD626/2	24	DN80	2,5	DN65 - 2½"	24	8
GCDEU 36.75	MN 50-250B	25	DN65	A-1300	9LD626/2	24	DN80	2,5	DN65 - 2½"	24	16
GCDEU 36.80	MN 50-250A	30	DN65	A-1300	9LD626/2	24	DN80	3	DN65 - 2½"	24	16
GCDEU 36.85	MN 50-250A	30	DN65	A-1300	9LD626/2	24	DN80	3	DN65 - 2½"	24	16
GCDEU 36.90	ME20K65-42/3	20	DN65	A-1300	9LD626/2	24	DN80	3	DN65 - 2½"	24	16
GCDEU 36.100	ME25K65-42/3	25	DN65	R3-2330	F3L2011	43	DN80	3	DN65 - 2½"	24	16
GCDEU 42.40	MN 50-200C	12,5	DN65	A-640	4LD640	11	DN80	1,5	DN80 - 3"	24	8
GCDEU 42.45	MN 50-200B	15	DN65	A-640	4LD640	11	DN80	1,5	DN80 - 3"	24	8
GCDEU 42.50	MN 50-200A	20	DN65	A-820	4LD820	15	DN80	2,5	DN80 - 3"	24	8
GCDEU 42.55	MN 50-200A	20	DN65	A-1300	9LD626/2	24	DN80	2,5	DN80 - 3"	24	8
GCDEU 42.60	MN 50-250C	20	DN65	A-1300	9LD626/2	24	DN80	2,5	DN80 - 3"	24	8
GCDEU 42.65	MN 50-250C	20	DN65	A-1300	9LD626/2	24	DN80	2,5	DN80 - 3"	24	8
GCDEU 42.70	MN 50-250B	25	DN65	A-1300	9LD626/2	24	DN80	2,5	DN80 - 3"	24	8
GCDEU 42.75	MN 50-250B	25	DN65	A-1300	9LD626/2	24	DN80	2,5	DN80 - 3"	24	16
GCDEU 42.80	MN 50-250A	30	DN65	A-1300	9LD626/2	24	DN80	3	DN80 - 3"	24	16
GCDEU 42.85	MN 50-250A	30	DN65	A-1300	9LD626/2	24	DN80	3	DN80 - 3"	24	16
GCDEU 42.90	ME25K80-45/2A	25	DN80	R3-2330	F3L2011	43	DN80	3	DN80 - 3"	24	16
GCDEU 42.100	ME30K80-45/2A	30	DN80	R3-2330	F3L2011	43	DN80	3	DN80 - 3"	24	16
GCDEU 48.40	MN 50-200B	15	DN65	A-640	4LD640	11	DN80	1,5	DN80 - 3"	24	8
GCDEU 48.45	MN 50-200B	15	DN65	A-820	4LD820	15	DN80	1,5	DN80 - 3"	24	8
GCDEU 48.50	MN 50-200A	20	DN65	A-1300	9LD626/2	24	DN80	2,5	DN80 - 3"	24	8
GCDEU 48.55	MN 50-250C	20	DN65	A-1300	9LD626/2	24	DN80	2,5	DN80 - 3"	24	8
GCDEU 48.60	MN 50-250C	20	DN65	A-1300	9LD626/2	24	DN80	2,5	DN80 - 3"	24	8
GCDEU 48.65	MN 50-250C	20	DN65	A-1300	9LD626/2	24	DN80	2,5	DN80 - 3"	24	8
GCDEU 48.70	MN 50-250B	25	DN65	A-1300	9LD626/2	24	DN80	2,5	DN80 - 3"	24	8
GCDEU 48.75	MN 50-250A	30	DN65	A-1300	9LD626/2	24	DN80	2,5	DN80 - 3"	24	16
GCDEU 48.80	MN 50-250A	30	DN65	A-1300	9LD626/2	24	DN80	3	DN80 - 3"	24	16
GCDEU 48.85	MN 50-250A	30	DN65	R3-2330	F3L2011	43	DN80	3	DN80 - 3"	24	16
GCDEU 48.90	ME30K80-60/2P	30	DN80	R3-2330	F3L2011	43	DN80	3	DN80 - 3"	24	16
GCDEU 48.100	ME30K80-60/2P	30	DN80	S2K80/2H	F3L2011	43	DN80	3	DN80 - 3"	24	16

MODELO	BOMBA PRINCIPAL ELECTRICA			BOMBA PRINCIPAL DIESEL				JOCKEY	COLECTOR IMPULSION	MODELO ACUMULADOR	
	MODELO	CV	Ø asp.	BOMBA	MOTOR	CV	Ø asp.			CV	(l)
GCDEU 54.45	MN 50-200A	20	DN65	M-820	4LD820	15	DN50	1,5	DN80 - 3"	24	8
GCDEU 54.50	MN 50-200A	20	DN65	A-1300	9LD626/2	24	DN80	2,5	DN80 - 3"	24	8
GCDEU 54.55	MN 50-250C	20	DN65	A-1300	9LD626/2	24	DN80	2,5	DN80 - 3"	24	8
GCDEU 54.60	MN 50-250C	20	DN65	A-1300	9LD626/2	24	DN80	2,5	DN80 - 3"	24	8
GCDEU 54.65	MN 50-250B	25	DN65	A-1300	9LD626/2	24	DN80	2,5	DN80 - 3"	24	8
GCDEU 54.70	MN 50-250B	25	DN65	A-1300	9LD626/2	24	DN80	2,5	DN80 - 3"	24	8
GCDEU 54.75	MN 50-250A	30	DN65	A-1300	9LD626/2	24	DN80	2,5	DN80 - 3"	24	16
GCDEU 54.80	MN 50-250A	30	DN65	R3-2330	F3L2011	43	DN80	3	DN80 - 3"	24	16
GCDEU 54.85	ME30K80-60/2P	30	DN80	R3-2330	F3L2011	43	DN80	3	DN80 - 3"	24	16
GCDEU 54.90	ME30K80-60/2P	30	DN80	R3-2330	F3L2011	43	DN80	3	DN80 - 3"	24	16
GCDEU 54.100	ME30K80-60/2P	30	DN80	S2K80/2H	F3L2011	43	DN80	3	DN80 - 3"	24	16
GCDEU 60.45	MN 50-200A	20	DN65	A-1300	9LD626/2	24	DN80	1,5	DN100-4"	24	8
GCDEU 60.50	MN 50-250C	20	DN65	A-1300	9LD626/2	24	DN80	2,5	DN100-4"	24	8
GCDEU 60.55	MN 50-250C	20	DN65	A-1300	9LD626/2	24	DN80	2,5	DN100-4"	24	8
GCDEU 60.60	MN 50-250C	20	DN65	A-1300	9LD626/2	24	DN80	2,5	DN100-4"	24	8
GCDEU 60.65	MN 50-250B	25	DN65	A-1300	9LD626/2	24	DN80	2,5	DN100-4"	24	8
GCDEU 60.70	MN 50-250A	30	DN65	A-2330	F3L2011	43	DN100	2,5	DN100-4"	24	8
GCDEU 60.75	MN 50-250A	30	DN65	R3-2330	F3L2011	43	DN80	2,5	DN100-4"	24	16
GCDEU 60.80	MN 50-250A	30	DN65	R3-2330	F3L2011	43	DN80	3	DN100-4"	24	16
GCDEU 60.85	MN 65-250A	50	DN80	R3-2330	F3L2011	43	DN80	3	DN100-4"	24	16
GCDEU 60.90	ME35K80-60/2A	35	DN80	R3-2330	F3L2011	43	DN80	3	DN100-4"	24	16
GCDEU 60.100	ME40K80-90/2P	40	DN80	S2K80/2H	F3L2011	43	DN80	3	DN100-4"	24	16
GCDEU 72.45	MN 65-200B	25	DN80	A-1550	F2L2011	28	DN100	1,5	DN100-4"	24	8
GCDEU 72.50	MN 65-200A	30	DN80	R2-1550	F2L2011	28	DN80	2,5	DN100-4"	24	8
GCDEU 72.55	MN 65-200A	30	DN80	M-1300	9LD626/2	24	DN100	2,5	DN100-4"	24	8
GCDEU 72.60	SNK 65-250H	40	DN80	A-2330	F3L2011	43	DN100	2,5	DN100-4"	24	8
GCDEU 72.65	SNK 65-250H	40	DN80	A-2330	F3L2011	43	DN100	2,5	DN100-4"	24	8
GCDEU 72.70	ME35K80-90/2A	35	DN80	R3-2330	F3L2011	43	DN80	2,5	DN100-4"	24	8
GCDEU 72.75	ME35K80-90/2A	35	DN80	R3-2330	F3L2011	43	DN80	2,5	DN100-4"	24	16
GCDEU 72.80	ME40K80-90/2A	40	DN80	R3-2330	F3L2011	43	DN80	3	DN100-4"	24	16
GCDEU 72.85	ME40K80-90/2A	40	DN80	S2K80/2I	F3L2011	43	DN80	3	DN100-4"	24	16
GCDEU 72.90	ME50K80-90/2A	50	DN80	S2K80/2I	F3L2011	43	DN80	3	DN100-4"	24	16
GCDEU 72.100	ME50K80-90/2A	50	DN80	S2K80/2H	F3L2011	43	DN80	3	DN100-4"	24	16

MODELO	BOMBA PRINCIPAL ELECTRICA			BOMBA PRINCIPAL DIESEL				JOCKEY	COLECTOR IMPULSION	MODELO ACUMULADOR	
	MODELO	CV	Ø asp.	BOMBA	MOTOR	CV	Ø asp.			CV	(l)
GCDEU 84.45	MN 65-200B	25	DN80	M-1300	9LD626/2	24	DN100	1,5	DN100-4"	24	8
GCDEU 84.50	MN 65-200A	30	DN80	M-1300	9LD626/2	24	DN100	2,5	DN100-4"	24	8
GCDEU 84.55	MN 65-200A	30	DN80	M-1300	9LD626/2	24	DN100	2,5	DN100-4"	24	8
GCDEU 84.60	S2P100AEF	40	DN80	A-2330	F3L2011	43	DN100	2,5	DN100-4"	24	8
GCDEU 84.65	SNK65-250HG	40	DN80	R3-2330	F3L2011	43	DN80	2,5	DN100-4"	24	8
GCDEU 84.70	MN 65-250B	40	DN80	R3-2330	F3L2011	43	DN80	2,5	DN100-4"	24	8
GCDEU 84.75	SNK65-250GF	50	DN80	S3P105/F	F4L912	73	DN100	2,5	DN100-4"	24	16
GCDEU 84.80	MN 65-250A	50	DN80	S3P105/E	F4L912	73	DN100	3	DN100-4"	24	16
GCDEU 84.85	SNK65-250E	60	DN100	S3P100K/G	F4L912	73	DN100	3	DN100-4"	24	16
GCDEU 84.90	S3P105G	75	DN100	S3P100K/F	F4L912	73	DN100	3	DN100-4"	24	16
GCDEU 84.100	S3P105F	75	DN100	S3P100K/E	F6L912	111	DN100	3	DN100-4"	24	16
GCDEU 96.45	MN 65-200B	25	DN80	M-1300	9LD626/2	24	DN100	1,5	DN150-6"	24	8
GCDEU 96.50	MN 65-200A	30	DN80	M-1300	9LD626/2	24	DN100	2,5	DN150-6"	24	8
GCDEU 96.55	S2P100BF	40	DN100	M-1300	9LD626/2	24	DN100	2,5	DN150-6"	24	8
GCDEU 96.60	S3P100AE	50	DN100	S3P105/H	F3L912	54	DN100	2,5	DN150-6"	24	8
GCDEU 96.65	S3P105L	50	DN100	S3P105/G	F3L912	54	DN100	2,5	DN150-6"	24	8
GCDEU 96.70	S3P105LI	50	DN100	S3P105/F	F4L912	73	DN100	2,5	DN150-6"	24	8
GCDEU 96.75	MN 65-250A	50	DN80	S3P105/F	F4L912	73	DN100	2,5	DN150-6"	24	16
GCDEU 96.80	MN 65-250A	50	DN80	S3P105/E	F4L912	73	DN100	3	DN150-6"	24	16
GCDEU 96.85	S3P105H	60	DN100	S3P100K/G	F4L912	73	DN100	3	DN150-6"	24	16
GCDEU 96.90	S3P105G	75	DN100	S3P100K/F	F4L912	73	DN100	3	DN150-6"	24	16
GCDEU 96.100	S3P105F	75	DN100	S3P100K/E	F6L912	111	DN100	3	DN150-6"	24	16
GCDEU 96.110	S3P100KG	100	DN100	S3P100K/E	F6L912	111	DN100	3	DN150-6"	24	16
GCDEU 108.45	MN 65-200A	30	DN80	M-1300	9LD626/2	24	DN100	1,5	DN150-6"	24	8
GCDEU 108.50	MN 65-200A	30	DN80	M-1300	9LD626/2	24	DN100	2,5	DN150-6"	24	8
GCDEU 108.55	S2P100BE	40	DN100	S2P100A	F3L2011	46	DN100	2,5	DN150-6"	24	8
GCDEU 108.60	S2P100AE	50	DN100	S3P100K/H	F3L912	54	DN100	2,5	DN150-6"	24	8
GCDEU 108.65	MN 65-250B	40	DN80	S3P100K/G	F3L912	54	DN100	2,5	DN150-6"	24	8
GCDEU 108.70	MN 65-250A	50	DN80	S3P100K/F	F4L912	73	DN100	2,5	DN150-6"	24	8
GCDEU 108.75	MN 65-250A	50	DN100	S3P100K/F	F4L912	73	DN100	3	DN150-6"	24	16
GCDEU 108.80	S3P105AF	75	DN100	S3P100K/E	F4L912	73	DN100	3	DN150-6"	24	16
GCDEU 108.85	S3P105AF	75	DN100	S3P100K/E	F4L912	73	DN100	3	DN150-6"	24	16
GCDEU 108.90	S3P105AE	75	DN100	S4P125K/L	F6L912	111	DN125	3	DN150-6"	24	16
GCDEU 108.100	SR3K100-120/2H	75	DN100	S4P125K/I	F6L912	111	DN125	3	DN150-6"	24	16
GCDEU 108.110	SR3K100-120/2GH	75	DN100	S4P125K/H6068DF150VS	F6L912	112	DN125	3	DN150-6"	24	16

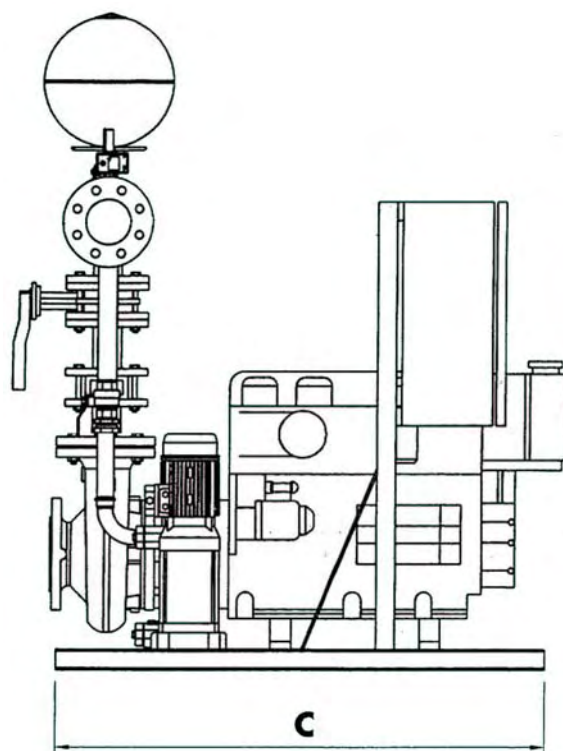
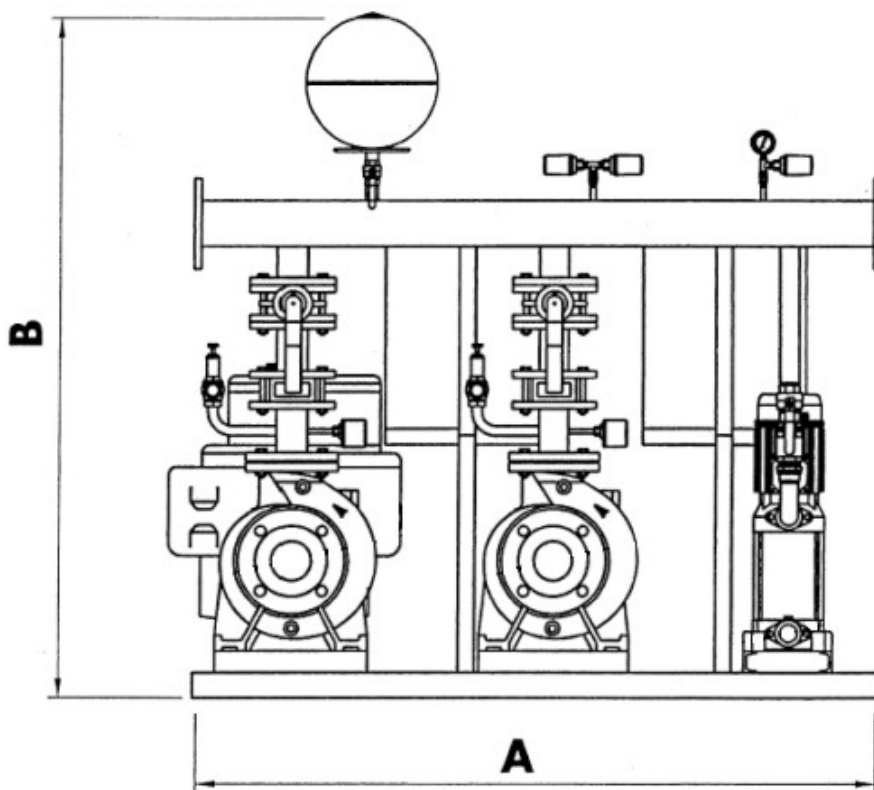
DIMENSIONES DE GRUPOS GCDEU

MODELO	DIMENSIONES		
	A	B	C
GCDEU 12.50	1400	1600	750
GCDEU 12.70	1400	1600	750
GCDEU 12.80	1400	1600	750
GCDEU 12.85	1400	1600	750
GCDEU 12.90	1400	1600	750
GCDEU 18.40	1400	1600	750
GCDEU 18.45	1400	1600	750
GCDEU 18.50	1400	1600	750
GCDEU 18.55	1400	1600	750
GCDEU 18.60	1400	1600	750
GCDEU 18.65	1400	1600	750
GCDEU 18.70	1400	1600	750
GCDEU 18.75	1400	1600	750
GCDEU 18.80	1400	1600	750
GCDEU 18.85	1400	1600	750
GCDEU 18.90	1400	1600	750
GCDEU 24.40	1400	1600	750
GCDEU 24.45	1400	1600	750
GCDEU 24.50	1400	1600	750
GCDEU 24.55	1400	1600	750
GCDEU 24.60	1400	1600	750
GCDEU 24.65	1400	1600	750
GCDEU 24.70	1400	1600	750
GCDEU 24.75	1400	1600	750
GCDEU 24.80	1400	1600	750
GCDEU 24.85	1400	1600	750
GCDEU 24.90	1400	1600	750
GCDEU 30.40	1400	1600	750
GCDEU 30.45	1400	1600	750
GCDEU 30.50	1400	1600	750
GCDEU 30.55	1400	1600	750
GCDEU 30.60	1400	1600	750
GCDEU 30.65	1400	1600	750
GCDEU 30.70	1400	1600	750
GCDEU 30.75	1400	1600	750
GCDEU 30.80	1400	1600	750
GCDEU 30.85	1400	1600	750
GCDEU 30.90	1400	1600	750
GCDEU 30.100	1400	1600	750



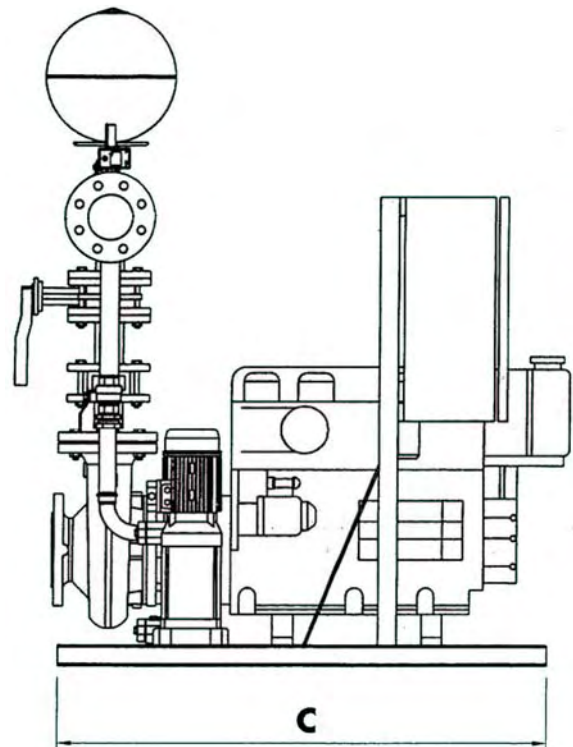
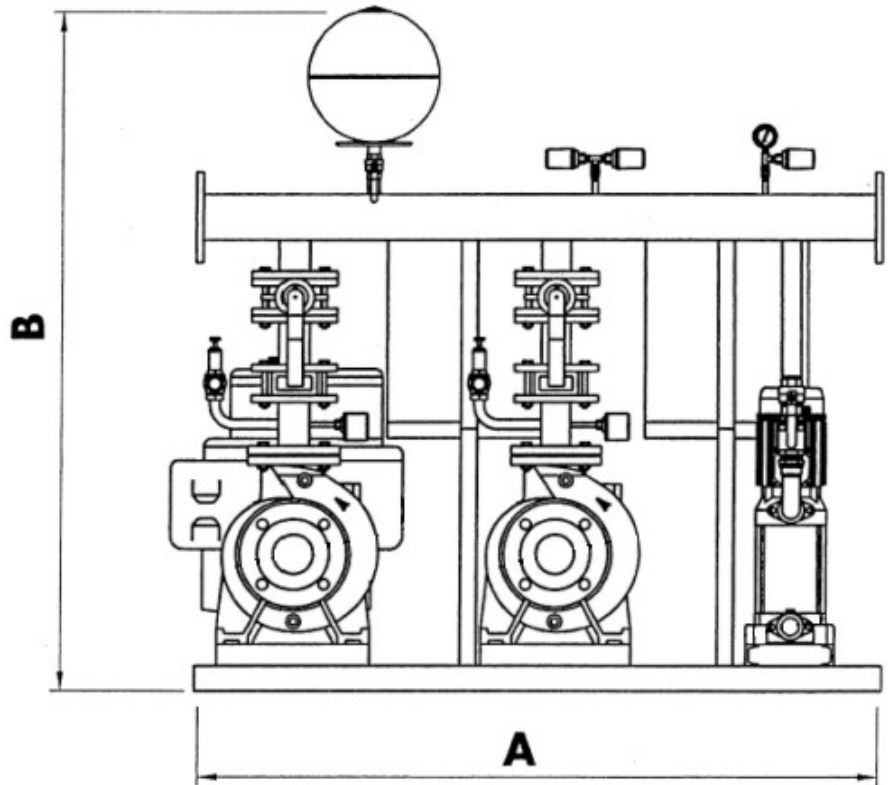
DIMENSIONES DE GRUPOS GCDEU

MODELO	DIMENSIONES		
	A	B	C
GCDEU 36.40	1400	1600	750
GCDEU 36.45	1400	1600	750
GCDEU 36.50	1400	1600	750
GCDEU 36.55	1400	1600	750
GCDEU 36.60	1400	1600	750
GCDEU 36.65	1400	1600	750
GCDEU 36.70	1400	1600	750
GCDEU 36.75	1400	1600	750
GCDEU 36.80	1400	1600	750
GCDEU 36.85	1400	1600	750
GCDEU 36.90	1400	1600	750
GCDEU 36.100	1400	1700	1700
GCDEU 42.40	1400	1600	750
GCDEU 42.45	1400	1600	750
GCDEU 42.50	1400	1600	750
GCDEU 42.55	1400	1600	750
GCDEU 42.60	1400	1600	750
GCDEU 42.65	1400	1600	750
GCDEU 42.70	1400	1600	750
GCDEU 42.75	1400	1600	750
GCDEU 42.80	1400	1600	750
GCDEU 42.85	1400	1600	750
GCDEU 42.90	1400	1700	1700
GCDEU 42.100	1400	1700	1700
GCDEU 48.40	1400	1600	750
GCDEU 48.45	1400	1600	750
GCDEU 48.50	1400	1600	750
GCDEU 48.55	1400	1600	750
GCDEU 48.60	1400	1600	750
GCDEU 48.65	1400	1600	750
GCDEU 48.70	1400	1600	750
GCDEU 48.75	1400	1600	750
GCDEU 48.80	1400	1600	750
GCDEU 48.85	1400	1700	1700
GCDEU 48.90	1400	1700	1700
GCDEU 48.100	1400	1700	1700



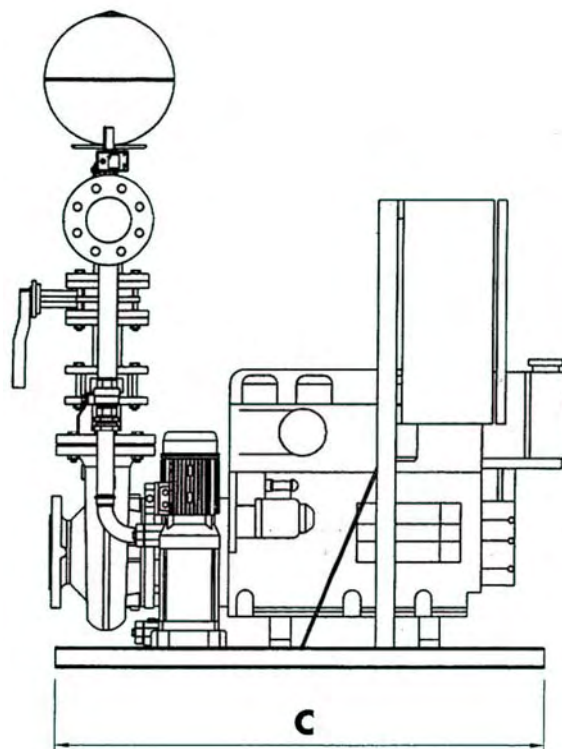
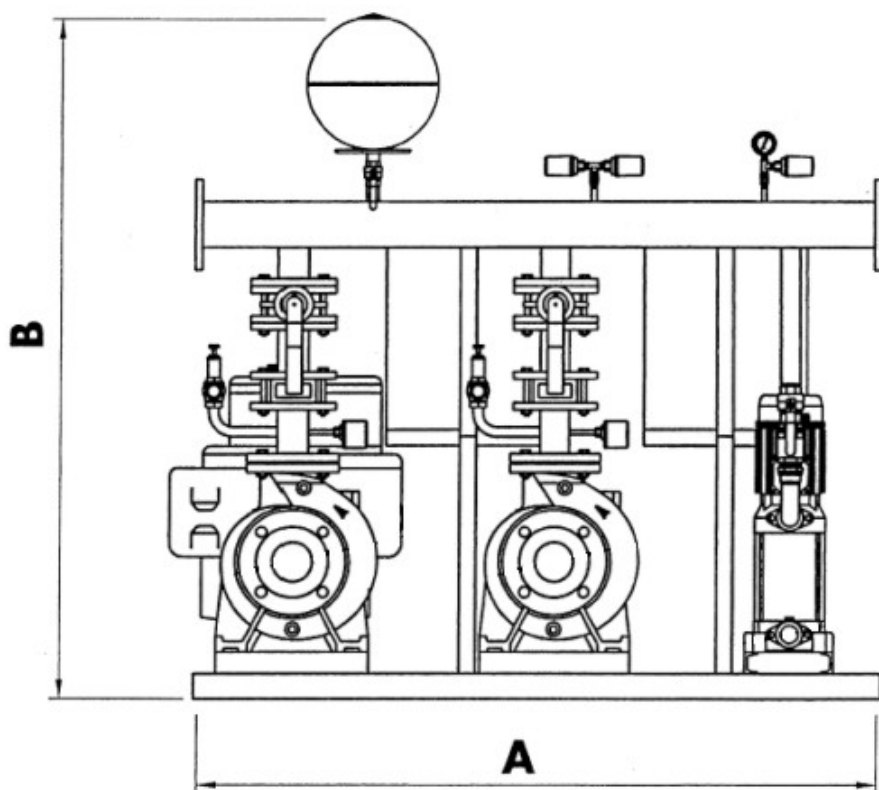
DIMENSIONES DE GRUPOS GCDEU

MODELO	DIMENSIONES		
	A	B	C
GCDEU 54.45	1600	1600	750
GCDEU 54.50	1600	1600	750
GCDEU 54.55	1600	1600	750
GCDEU 54.60	1600	1600	750
GCDEU 54.65	1600	1600	750
GCDEU 54.70	1600	1600	750
GCDEU 54.75	1600	1600	750
GCDEU 54.80	1600	1700	1700
GCDEU 54.85	1600	1700	1700
GCDEU 54.90	1600	1700	1700
GCDEU 54.100	1600	1700	1700
GCDEU 60.45	1600	1600	750
GCDEU 60.50	1600	1600	750
GCDEU 60.55	1600	1600	750
GCDEU 60.60	1600	1600	750
GCDEU 60.65	1600	1600	750
GCDEU 60.70	1600	1700	1700
GCDEU 60.75	1600	1700	1700
GCDEU 60.80	1600	1700	1700
GCDEU 60.85	1600	1700	1700
GCDEU 60.90	1600	1700	1700
GCDEU 60.100	1600	1700	1700
GCDEU 72.45	1600	1700	1900
GCDEU 72.50	1600	1700	1900
GCDEU 72.55	1600	1700	1900
GCDEU 72.60	1600	1700	1900
GCDEU 72.65	1600	1700	1900
GCDEU 72.70	1600	1700	1900
GCDEU 72.75	1600	1700	1900
GCDEU 72.80	1600	1700	1900
GCDEU 72.85	1600	1700	1900
GCDEU 72.90	1600	1700	1900
GCDEU 72.100	1600	1700	1900



DIMENSIONES DE GRUPOS GCDEU

MODELO	DIMENSIONES		
	A	B	C
GCDEU 84.45	1700	1700	1900
GCDEU 84.50	1700	1700	1900
GCDEU 84.55	1700	1700	1900
GCDEU 84.60	1700	1700	1900
GCDEU 84.65	1700	1700	1900
GCDEU 84.70	1700	1700	1900
GCDEU 84.75	1700	1700	1900
GCDEU 84.80	1700	1700	1900
GCDEU 84.85	1700	1700	1900
GCDEU 84.90	1700	1700	1900
GCDEU 84.100	1700	1700	1900
GCDEU 96.45	1700	1700	1900
GCDEU 96.50	1700	1700	1900
GCDEU 96.55	1700	1700	1900
GCDEU 96.60	1700	1700	1900
GCDEU 96.65	1700	1700	1900
GCDEU 96.70	1700	1700	1900
GCDEU 96.75	1700	1700	1900
GCDEU 96.80	1700	1700	2000
GCDEU 96.85	1700	1700	2000
GCDEU 96.90	1700	1700	2000
GCDEU 96.100	1700	1700	2000
GCDEU 96.110	1700	1700	2000
GCDEU 108.45	1700	1700	1900
GCDEU 108.50	1700	1700	1900
GCDEU 108.55	1700	1700	1900
GCDEU 108.60	1700	1700	1900
GCDEU 108.65	1700	1700	1900
GCDEU 108.70	1700	1700	1900
GCDEU 108.75	1700	1700	1900
GCDEU 108.80	1700	1700	2000
GCDEU 108.85	1700	1700	2000
GCDEU 108.90	1700	1700	2000
GCDEU 108.100	1700	1700	2000
GCDEU 108.110	1700	1700	2000



CONTRAINCENDIOS GCDEU

COMPOSICION GRUPO

