

CONTRAINCENDIOS **GCDU**

1 Bomba principal diesel + jockey



MODELO	BOMBA PRINCIPAL DIESEL				BOMBA JOCKEY			COLECTOR IMPULSION	MODELO ACUMULADOR	
	BOMBA	MOTOR	C.V.	Ø asp.	MODELO	C.V.	Ø asp.		(l)	(bar)
GCDU 12.50	ATS-325	RY-70	5,6	2"	P7-250/5	2,5	1 ¼"	DN50 - 2"	24	8
GCDU 12.55	A-440	RY-110	9	2"	P7-250/5	2,5	1 ¼"	DN50 - 2"	24	8
GCDU 12.60	A-440	RY-110	9	2"	P7-300/6	3	1 ¼"	DN50 - 2"	24	8
GCDU 12.70	A-640	4LD640	11	DN80	P5V-250/8	2,5	1 ¼"	DN50 - 2"	24	8
GCDU 12.80	A-820	4LD820	15	DN80	P5V-300/10	3	1 ¼"	DN50 - 2"	24	16
GCDU 12.85	AZ-660	25LD330/2	14	1 ¼"	P5V-300/10	3	1 ¼"	DN50 - 2"	24	16
GCDU 12.90	AZ-660	25LD330/2	14	1 ¼"	P5V-300/10	3	1 ¼"	DN50 - 2"	24	16
GCDU 18.40	A-325	RY-70	5,6	2"	P5-150/5	1,5	1"	DN50 - 2"	24	8
GCDU 18.45	ATS-325	RY-70	5,6	2"	P5-150/5	1,5	1"	DN50 - 2"	24	8
GCDU 18.50	A-440	RY-110	9	2"	P7-250/5	2,5	1 ¼"	DN50 - 2"	24	8
GCDU 18.55	A-440	RY-110	9	2"	P7-250/5	2,5	1 ¼"	DN50 - 2"	24	8
GCDU 18.60	A-440	RY-110	9	2"	P7-300/6	3	1 ¼"	DN50 - 2"	24	8
GCDU 18.65	A-640	4LD640	11	DN80	P7-300/6	3	1 ¼"	DN50 - 2"	24	8
GCDU 18.70	A-820	4LD820	15	DN80	P5V-250/8	2,5	1 ¼"	DN50 - 2"	24	8
GCDU 18.75	A-820	4LD820	15	DN80	P5V-250/8	2,5	1 ¼"	DN50 - 2"	24	16
GCDU 18.80	A-820	4LD820	15	DN80	P5V-300/10	3	1 ¼"	DN50 - 2"	24	16
GCDU 18.85	A-1300	9LD626/2	24	DN80	P5V-300/10	3	1 ¼"	DN50 - 2"	24	16
GCDU 18.90	A-1300	9LD626/2	24	DN80	P5V-300/10	3	1 ¼"	DN50 - 2"	24	16
GCDU 24.40	A-325	RY-70	5,6	2"	P5-150/5	1,5	1"	DN65 - 2½"	24	8
GCDU 24.45	A-440	RY-110	9	2"	P5-150/5	1,5	1"	DN65 - 2½"	24	8
GCDU 24.50	A-440	RY-110	9	2"	P7-250/5	2,5	1 ¼"	DN65 - 2½"	24	8
GCDU 24.55	A-440	RY-110	9	2"	P7-250/5	2,5	1 ¼"	DN65 - 2½"	24	8
GCDU 24.60	A-440	RY-110	9	2"	P7-300/6	3	1 ¼"	DN65 - 2½"	24	8
GCDU 24.65	A-640	4LD640	11	DN80	P7-300/6	3	1 ¼"	DN65 - 2½"	24	8
GCDU 24.70	A-820	4LD820	15	DN80	P5V-250/8	2,5	1 ¼"	DN65 - 2½"	24	8
GCDU 24.75	A-820	4LD820	15	DN80	P5V-250/8	2,5	1 ¼"	DN65 - 2½"	24	16
GCDU 24.80	A-1300	9LD626/2	24	DN80	P5V-300/10	3	1 ¼"	DN65 - 2½"	24	16
GCDU 24.85	A-1300	9LD626/2	24	DN80	P5V-300/10	3	1 ¼"	DN65 - 2½"	24	16
GCDU 24.90	A-1300	9LD626/2	24	DN80	P5V-300/10	3	1 ¼"	DN65 - 2½"	24	16
GCDU 30.40	A-440	RY-110	9	2"	P5-150/5	1,5	1"	DN65 - 2½"	24	8
GCDU 30.45	A-440	RY-110	9	2"	P5-150/5	1,5	1"	DN65 - 2½"	24	8
GCDU 30.50	A-440	RY-110	9	2"	P7-250/5	2,5	1 ¼"	DN65 - 2½"	24	8
GCDU 30.55	A-440	RY-110	9	2"	P7-250/5	2,5	1 ¼"	DN65 - 2½"	24	8
GCDU 30.60	A-640	4LD640	11	DN80	P7-300/6	3	1 ¼"	DN65 - 2½"	24	8
GCDU 30.65	A-820	4LD820	15	DN80	P7-300/6	3	1 ¼"	DN65 - 2½"	24	8
GCDU 30.70	A-1300	9LD626/2	24	DN80	P5V-250/8	2,5	1 ¼"	DN65 - 2½"	24	8
GCDU 30.75	A-1300	9LD626/2	24	DN80	P5V-250/8	2,5	1 ¼"	DN65 - 2½"	24	16
GCDU 30.80	A-1300	9LD626/2	24	DN80	P5V-300/10	3	1 ¼"	DN65 - 2½"	24	16
GCDU 30.85	A-1300	9LD626/2	24	DN80	P5V-300/10	3	1 ¼"	DN65 - 2½"	24	16
GCDU 30.90	A-1300	9LD626/2	24	DN80	P5V-300/10	3	1 ¼"	DN65 - 2½"	24	16
GCDU 30.100	A-1300	9LD626/2	24	DN80	P5V-300/10	3	1 ¼"	DN65 - 2½"	24	16

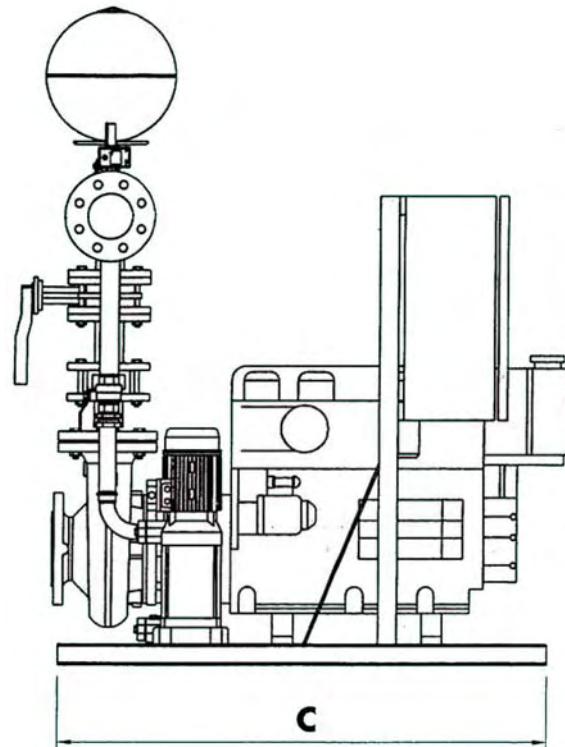
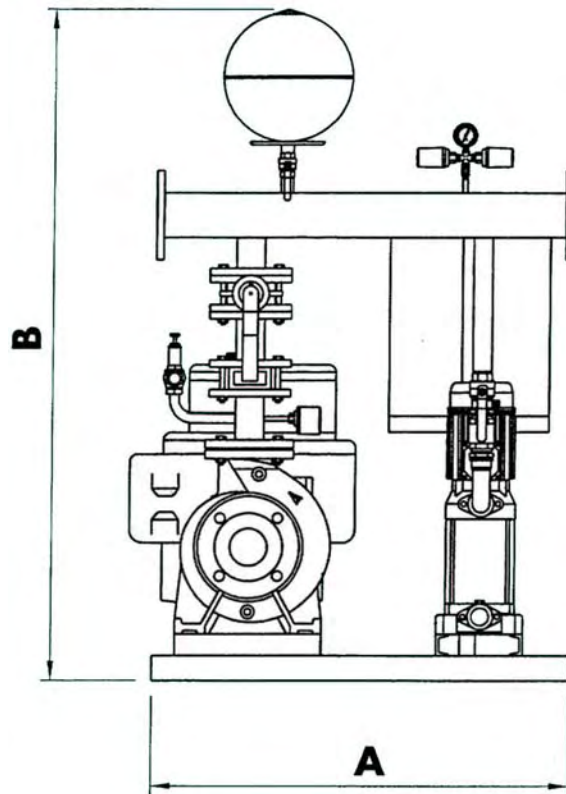
MODELO	BOMBA PRINCIPAL DIESEL				BOMBA JOCKEY			COLECTOR IMPULSION	MODELO ACUMULADOR	
	BOMBA	MOTOR	C.V.	Ø asp.	MODELO	C.V.	Ø asp.		(l)	(bar)
GCDU 36.40	A-640	4LD640	11	DN80	P5-150/5	1,5	1"	DN65 - 2½"	24	8
GCDU 36.45	A-640	4LD640	11	DN80	P5-150/5	1,5	1"	DN65 - 2½"	24	8
GCDU 36.50	A-640	4LD640	11	DN80	P7-250/5	2,5	1 ¼"	DN65 - 2½"	24	8
GCDU 36.55	A-820	4LD820	15	DN80	P7-250/5	2,5	1 ¼"	DN65 - 2½"	24	8
GCDU 36.60	A-820	4LD820	15	DN80	P7-300/6	3	1 ¼"	DN65 - 2½"	24	8
GCDU 36.65	A-1300	9LD626/2	24	DN80	P7-300/6	3	1 ¼"	DN65 - 2½"	24	8
GCDU 36.70	A-1300	9LD626/2	24	DN80	P5V-250/8	2,5	1 ¼"	DN65 - 2½"	24	8
GCDU 36.75	A-1300	9LD626/2	24	DN80	P5V-250/8	2,5	1 ¼"	DN65 - 2½"	24	16
GCDU 36.80	A-1300	9LD626/2	24	DN80	P5V-300/10	3	1 ¼"	DN65 - 2½"	24	16
GCDU 36.85	A-1300	9LD626/2	24	DN80	P5V-300/10	3	1 ¼"	DN65 - 2½"	24	16
GCDU 36.90	A-1300	9LD626/2	24	DN80	P5V-300/10	3	1 ¼"	DN65 - 2½"	24	16
GCDU 36.100	R3-2330	F3L2011	43	DN80	P5V-300/10	3	1 ¼"	DN65 - 2½"	24	16
GCDU 42.40	A-640	4LD640	11	DN80	P5-150/5	1,5	1"	DN80 - 3"	24	8
GCDU 42.45	A-640	4LD640	11	DN80	P5-150/5	1,5	1"	DN80 - 3"	24	8
GCDU 42.50	A-820	4LD820	15	DN80	P7-250/5	2,5	1 ¼"	DN80 - 3"	24	8
GCDU 42.55	A-1300	9LD626/2	24	DN80	P7-250/5	2,5	1 ¼"	DN80 - 3"	24	8
GCDU 42.60	A-1300	9LD626/2	24	DN80	P7-300/6	3	1 ¼"	DN80 - 3"	24	8
GCDU 42.65	A-1300	9LD626/2	24	DN80	P7-300/6	3	1 ¼"	DN80 - 3"	24	8
GCDU 42.70	A-1300	9LD626/2	24	DN80	P5V-250/8	2,5	1 ¼"	DN80 - 3"	24	8
GCDU 42.75	A-1300	9LD626/2	24	DN80	P5V-250/8	2,5	1 ¼"	DN80 - 3"	24	16
GCDU 42.80	A-1300	9LD626/2	24	DN80	P5V-300/10	3	1 ¼"	DN80 - 3"	24	16
GCDU 42.85	A-1300	9LD626/2	24	DN80	P5V-300/10	3	1 ¼"	DN80 - 3"	24	16
GCDU 42.90	R3-2330	F3L2011	43	DN80	P5V-300/10	3	1 ¼"	DN80 - 3"	24	16
GCDU 42.100	R3-2330	F3L2011	43	DN80	P5V-300/10	3	1 ¼"	DN80 - 3"	24	16
GCDU 48.40	A-640	4LD640	11	DN80	P5-150/5	1,5	1"	DN80 - 3"	24	8
GCDU 48.45	A-820	4LD820	15	DN80	P5-150/5	1,5	1"	DN80 - 3"	24	8
GCDU 48.50	A-1300	9LD626/2	24	DN80	P7-250/5	2,5	1 ¼"	DN80 - 3"	24	8
GCDU 48.55	A-1300	9LD626/2	24	DN80	P7-250/5	2,5	1 ¼"	DN80 - 3"	24	8
GCDU 48.60	A-1300	9LD626/2	24	DN80	P7-300/6	3	1 ¼"	DN80 - 3"	24	8
GCDU 48.65	A-1300	9LD626/2	24	DN80	P7-300/6	3	1 ¼"	DN80 - 3"	24	8
GCDU 48.70	A-1300	9LD626/2	24	DN80	P5V-250/8	2,5	1 ¼"	DN80 - 3"	24	8
GCDU 48.75	A-1300	9LD626/2	24	DN80	P5V-250/8	2,5	1 ¼"	DN80 - 3"	24	16
GCDU 48.80	A-1300	9LD626/2	24	DN80	P5V-300/10	3	1 ¼"	DN80 - 3"	24	16
GCDU 48.85	R3-2330	F3L2011	43	DN80	P5V-300/10	3	1 ¼"	DN80 - 3"	24	16
GCDU 48.90	R3-2330	F3L2011	43	DN80	P5V-300/10	3	1 ¼"	DN80 - 3"	24	16
GCDU 48.100	S2K80/2H	F3L2011	43	DN80	P5V-300/10	3	1 ¼"	DN80 - 3"	24	16

MODELO	BOMBA PRINCIPAL DIESEL				BOMBA JOCKEY			COLECTOR IMPULSION	MODELO ACUMULADOR	
	BOMBA	MOTOR	C.V.	Ø asp.	MODELO	C.V.	Ø asp.		(l)	(bar)
GCDU 54.45	M-820	4LD820	15	DN50	P5-150/5	1,5	1"	DN80 - 3"	24	8
GCDU 54.50	A-1300	9LD626/2	24	DN80	P7-250/5	2,5	1 ¼"	DN80 - 3"	24	8
GCDU 54.55	A-1300	9LD626/2	24	DN80	P7-250/5	2,5	1 ¼"	DN80 - 3"	24	8
GCDU 54.60	A-1300	9LD626/2	24	DN80	P7-300/6	3	1 ¼"	DN80 - 3"	24	8
GCDU 54.65	A-1300	9LD626/2	24	DN80	P7-300/6	3	1 ¼"	DN80 - 3"	24	8
GCDU 54.70	A-1300	9LD626/2	24	DN80	P5V-250/8	2,5	1 ¼"	DN80 - 3"	24	8
GCDU 54.75	A-1300	9LD626/2	24	DN80	P5V-250/8	2,5	1 ¼"	DN80 - 3"	24	16
GCDU 54.80	R3-2330	F3L2011	43	DN80	P5V-300/10	3	1 ¼"	DN80 - 3"	24	16
GCDU 54.85	R3-2330	F3L2011	43	DN80	P5V-300/10	3	1 ¼"	DN80 - 3"	24	16
GCDU 54.90	R3-2330	F3L2011	43	DN80	P5V-300/10	3	1 ¼"	DN80 - 3"	24	16
GCDU 54.100	S2K80/2H	F3L2011	43	DN80	P5V-300/10	3	1 ¼"	DN80 - 3"	24	16
GCDU 60.45	A-1300	9LD626/2	24	DN80	P5-150/5	1,5	1"	DN100-4"	24	8
GCDU 60.50	A-1300	9LD626/2	24	DN80	P7-250/5	2,5	1 ¼"	DN100-4"	24	8
GCDU 60.55	A-1300	9LD626/2	24	DN80	P7-250/5	2,5	1 ¼"	DN100-4"	24	8
GCDU 60.60	A-1300	9LD626/2	24	DN80	P7-300/6	3	1 ¼"	DN100-4"	24	8
GCDU 60.65	A-1300	9LD626/2	24	DN80	P7-300/6	3	1 ¼"	DN100-4"	24	8
GCDU 60.70	A-2330	F3L2011	43	DN100	P5V-250/8	2,5	1 ¼"	DN100-4"	24	8
GCDU 60.75	R3-2330	F3L2011	43	DN80	P5V-250/8	2,5	1 ¼"	DN100-4"	24	16
GCDU 60.80	R3-2330	F3L2011	43	DN80	P5V-300/10	3	1 ¼"	DN100-4"	24	16
GCDU 60.85	R3-2330	F3L2011	43	DN80	P5V-300/10	3	1 ¼"	DN100-4"	24	16
GCDU 60.90	R3-2330	F3L2011	43	DN80	P5V-300/10	3	1 ¼"	DN100-4"	24	16
GCDU 60.100	S2K80/2H	F3L2011	43	DN80	P5V-300/10	3	1 ¼"	DN100-4"	24	16
GCDU 72.45	A-1550	F2L2011	28	DN100	P5-150/5	1,5	1"	DN100-4"	24	8
GCDU 72.50	R2-1550	F2L2011	28	DN80	P7-250/5	2,5	1 ¼"	DN100-4"	24	8
GCDU 72.55	M-1300	9LD626/2	24	DN100	P7-250/5	2,5	1 ¼"	DN100-4"	24	8
GCDU 72.60	A-2330	F3L2011	43	DN100	P7-300/6	3	1 ¼"	DN100-4"	24	8
GCDU 72.65	A-2330	F3L2011	43	DN100	P7-300/6	3	1 ¼"	DN100-4"	24	8
GCDU 72.70	R3-2330	F3L2011	43	DN80	P5V-250/8	2,5	1 ¼"	DN100-4"	24	8
GCDU 72.75	R3-2330	F3L2011	43	DN80	P5V-250/8	2,5	1 ¼"	DN100-4"	24	16
GCDU 72.80	R3-2330	F3L2011	43	DN80	P5V-300/10	3	1 ¼"	DN100-4"	24	16
GCDU 72.85	S2K80/2I	F3L2011	43	DN80	P5V-300/10	3	1 ¼"	DN100-4"	24	16
GCDU 72.90	S2K80/2I	F3L2011	43	DN80	P5V-300/10	3	1 ¼"	DN100-4"	24	16
GCDU 72.100	S2K80/2H	F3L2011	43	DN80	P5V-300/10	3	1 ¼"	DN100-4"	24	16

MODELO	BOMBA PRINCIPAL DIESEL				BOMBA JOCKEY			COLECTOR IMPULSION	MODELO ACUMULADOR	
	BOMBA	MOTOR	C.V.	Ø asp.	MODELO	C.V.	Ø asp.		(l)	(bar)
GCDU 84.45	M-1300	9LD626/2	24	DN100	P5-150/5	1,5	1"	DN100-4"	24	8
GCDU 84.50	M-1300	9LD626/2	24	DN100	P7-250/5	2,5	1 ¼"	DN100-4"	24	8
GCDU 84.55	M-1300	9LD626/2	24	DN100	P7-250/5	2,5	1 ¼"	DN100-4"	24	8
GCDU 84.60	A-2330	F3L2011	43	DN100	P7-300/6	3	1 ¼"	DN100-4"	24	8
GCDU 84.65	R3-2330	F3L2011	43	DN80	P7-300/6	3	1 ¼"	DN100-4"	24	8
GCDU 84.70	R3-2330	F3L2011	43	DN80	P5V-250/8	2,5	1 ¼"	DN100-4"	24	8
GCDU 84.75	S3P105/F	F4L912	73	DN100	P5V-250/8	2,5	1 ¼"	DN100-4"	24	16
GCDU 84.80	S3P105/E	F4L912	73	DN100	P5V-300/10	3	1 ¼"	DN100-4"	24	16
GCDU 84.85	S3P100K/G	F4L912	73	DN100	P5V-300/10	3	1 ¼"	DN100-4"	24	16
GCDU 84.90	S3P100K/F	F4L912	73	DN100	P5V-300/10	3	1 ¼"	DN100-4"	24	16
GCDU 84.100	S3P100K/E	F6L912	111	DN100	P5V-300/10	3	1 ¼"	DN100-4"	24	16
GCDU 96.45	M-1300	9LD626/2	24	DN100	P5-150/5	1,5	1"	DN150-6"	24	8
GCDU 96.50	M-1300	9LD626/2	24	DN100	P7-250/5	2,5	1 ¼"	DN150-6"	24	8
GCDU 96.55	M-1300	9LD626/2	24	DN100	P7-250/5	2,5	1 ¼"	DN150-6"	24	8
GCDU 96.60	S3P105/H	F3L912	54	DN100	P7-300/6	3	1 ¼"	DN150-6"	24	8
GCDU 96.65	S3P105/G	F3L912	54	DN100	P7-300/6	3	1 ¼"	DN150-6"	24	8
GCDU 96.70	S3P105/F	F4L912	73	DN100	P5V-250/8	2,5	1 ¼"	DN150-6"	24	8
GCDU 96.75	S3P105/F	F4L912	73	DN100	P5V-250/8	2,5	1 ¼"	DN150-6"	24	16
GCDU 96.80	S3P105/E	F4L912	73	DN100	P5V-300/10	3	1 ¼"	DN150-6"	24	16
GCDU 96.85	S3P100K/G	F4L912	73	DN100	P5V-300/10	3	1 ¼"	DN150-6"	24	16
GCDU 96.90	S3P100K/F	F4L912	73	DN100	P5V-300/10	3	1 ¼"	DN150-6"	24	16
GCDU 96.100	S3P100K/E	F6L912	111	DN100	P5V-300/10	3	1 ¼"	DN150-6"	24	16
GCDU 96.110	S3P100K/E	F6L912	111	DN100	P5V-300/10	3	1 ¼"	DN150-6"	24	16
GCDU 108.45	M-1300	9LD626/2	24	DN100	P5-150/5	1,5	1"	DN150-6"	24	8
GCDU 108.50	M-1300	9LD626/2	24	DN100	P7-250/5	2,5	1 ¼"	DN150-6"	24	8
GCDU 108.55	S2P100A	F3L2011	46	DN100	P7-250/5	2,5	1 ¼"	DN150-6"	24	8
GCDU 108.60	S3P100K/H	F3L912	54	DN100	P7-300/6	3	1 ¼"	DN150-6"	24	8
GCDU 108.65	S3P100K/G	F3L912	54	DN100	P7-300/6	3	1 ¼"	DN150-6"	24	8
GCDU 108.70	S3P100K/F	F4L912	73	DN100	P5V-250/8	2,5	1 ¼"	DN150-6"	24	8
GCDU 108.75	S3P100K/F	F4L912	73	DN100	P5V-250/8	2,5	1 ¼"	DN150-6"	24	16
GCDU 108.80	S3P100K/E	F4L912	73	DN100	P5V-300/10	3	1 ¼"	DN150-6"	24	16
GCDU 108.85	S3P100K/E	F4L912	73	DN100	P5V-300/10	3	1 ¼"	DN150-6"	24	16
GCDU 108.90	S4P125K/L	F6L912	111	DN125	P5V-300/10	3	1 ¼"	DN150-6"	24	16
GCDU 108.100	S4P125K/I	F6L912	111	DN125	P5V-300/10	3	1 ¼"	DN150-6"	24	16
GCDU 108.110	S4P125K/H	6068DF150VS	112	DN125	P5V-300/10	3	1 ¼"	DN150-6"	24	16

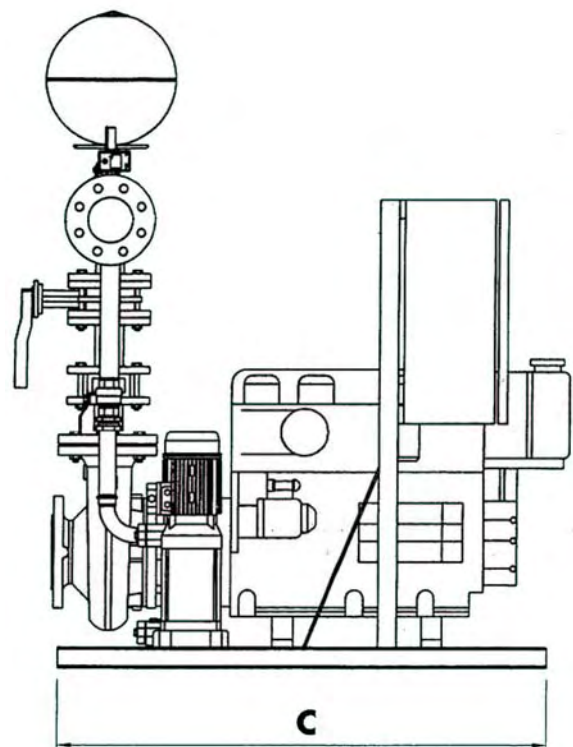
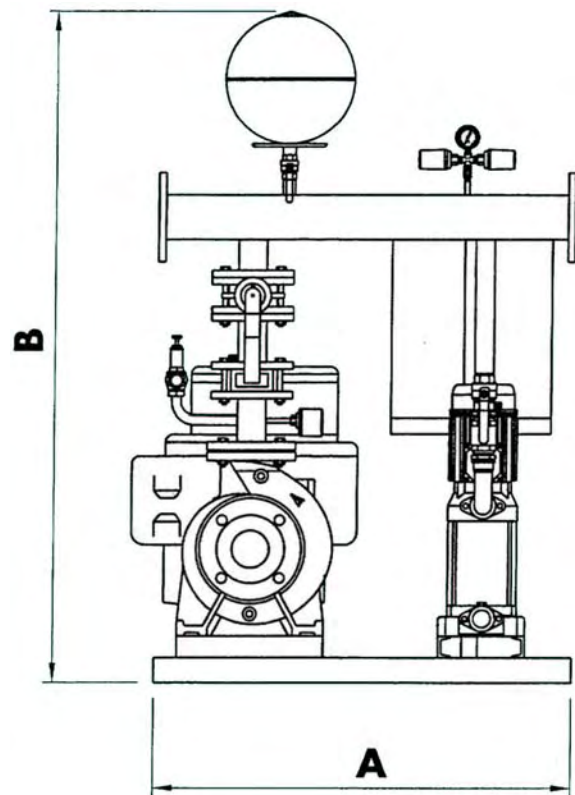
DIMENSIONES DE GRUPOS GCDU

MODELO	DIMENSIONES		
	A	B	C
GCDU 12.50	850	1600	750
GCDU 12.55	850	1600	750
GCDU 12.60	850	1600	750
GCDU 12.70	850	1600	750
GCDU 12.80	850	1600	750
GCDU 12.85	850	1600	750
GCDU 12.90	850	1600	750
GCDU 18.40	850	1600	750
GCDU 18.45	850	1600	750
GCDU 18.50	850	1600	750
GCDU 18.55	850	1600	750
GCDU 18.60	850	1600	750
GCDU 18.65	850	1600	750
GCDU 18.70	850	1600	750
GCDU 18.75	850	1600	750
GCDU 18.80	850	1600	750
GCDU 18.85	850	1600	750
GCDU 18.90	850	1600	750
GCDU 24.40	850	1600	750
GCDU 24.45	850	1600	750
GCDU 24.50	850	1600	750
GCDU 24.55	850	1600	750
GCDU 24.60	850	1600	750
GCDU 24.65	850	1600	750
GCDU 24.70	850	1600	750
GCDU 24.75	850	1600	750
GCDU 24.80	850	1600	750
GCDU 24.85	850	1600	750
GCDU 24.90	850	1600	750
GCDU 30.40	850	1600	750
GCDU 30.45	850	1600	750
GCDU 30.50	850	1600	750
GCDU 30.55	850	1600	750
GCDU 30.60	850	1600	750
GCDU 30.65	850	1600	750
GCDU 30.70	850	1600	750
GCDU 30.75	850	1600	750
GCDU 30.80	850	1600	750
GCDU 30.85	850	1600	750
GCDU 30.90	850	1600	750
GCDU 30.100	850	1600	750



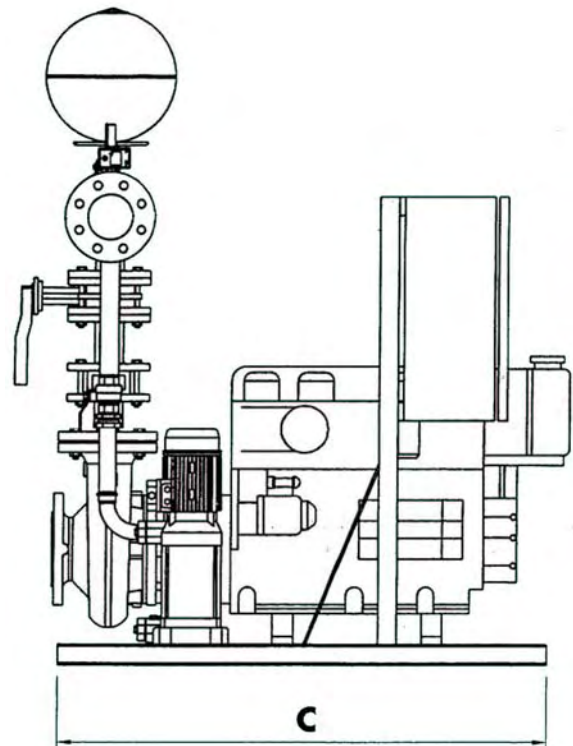
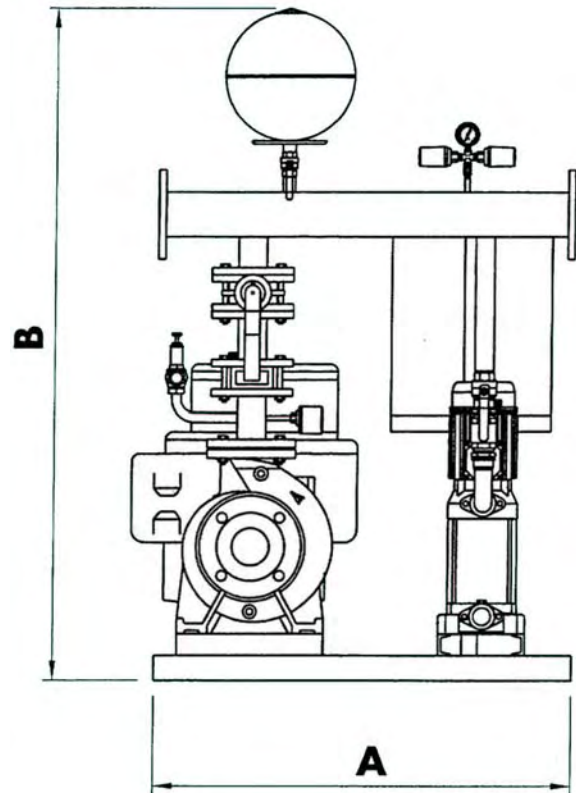
DIMENSIONES DE GRUPOS GCDU

MODELO	DIMENSIONES		
	A	B	C
GCDU 36.40	850	1600	750
GCDU 36.45	850	1600	750
GCDU 36.50	850	1600	750
GCDU 36.55	850	1600	750
GCDU 36.60	850	1600	750
GCDU 36.65	850	1600	750
GCDU 36.70	850	1600	750
GCDU 36.75	850	1600	750
GCDU 36.80	850	1600	750
GCDU 36.85	850	1600	750
GCDU 36.90	850	1600	750
GCDU 36.100	1000	1700	1700
GCDU 42.40	850	1600	750
GCDU 42.45	850	1600	750
GCDU 42.50	850	1600	750
GCDU 42.55	850	1600	750
GCDU 42.60	850	1600	750
GCDU 42.65	850	1600	750
GCDU 42.70	850	1600	750
GCDU 42.75	850	1600	750
GCDU 42.80	850	1600	750
GCDU 42.85	850	1600	750
GCDU 42.90	1000	1700	1700
GCDU 42.100	1000	1700	1700
GCDU 48.40	850	1600	750
GCDU 48.45	850	1600	750
GCDU 48.50	850	1600	750
GCDU 48.55	850	1600	750
GCDU 48.60	850	1600	750
GCDU 48.65	850	1600	750
GCDU 48.70	850	1600	750
GCDU 48.75	850	1600	750
GCDU 48.80	850	1600	750
GCDU 48.85	1000	1700	1700
GCDU 48.90	1000	1700	1700
GCDU 48.100	1000	1700	1700



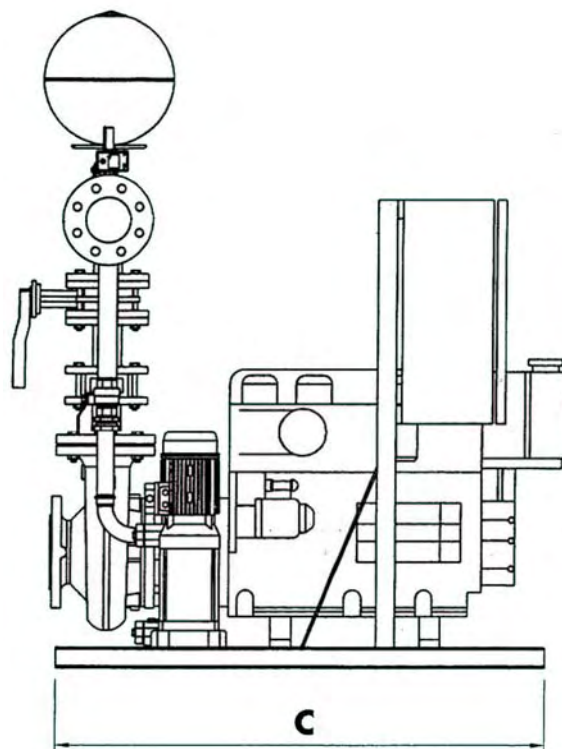
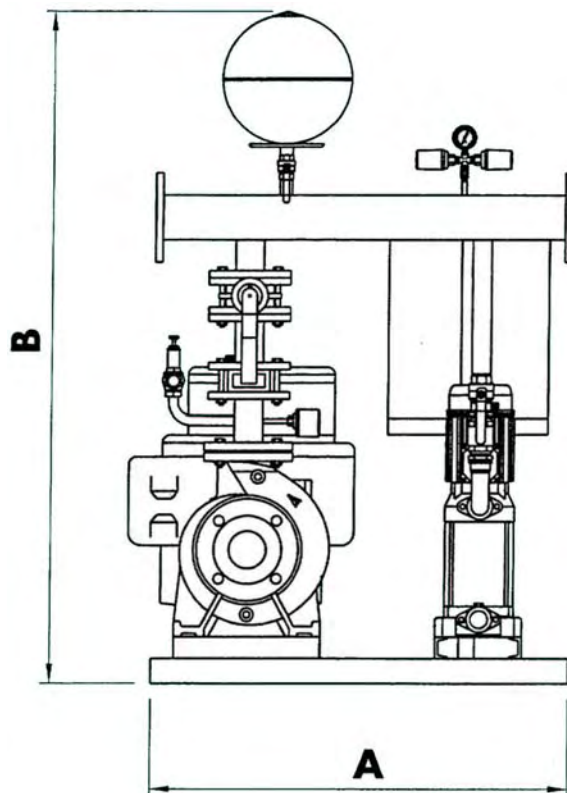
DIMENSIONES DE GRUPOS GCDU

MODELO	DIMENSIONES		
	A	B	C
GCDU 54.45	850	1600	750
GCDU 54.50	850	1600	750
GCDU 54.55	850	1600	750
GCDU 54.60	850	1600	750
GCDU 54.65	850	1600	750
GCDU 54.70	850	1600	750
GCDU 54.75	850	1600	750
GCDU 54.80	1000	1700	1700
GCDU 54.85	1000	1700	1700
GCDU 54.90	1000	1700	1700
GCDU 54.100	1000	1700	1700
GCDU 60.45	850	1600	750
GCDU 60.50	850	1600	750
GCDU 60.55	850	1600	750
GCDU 60.60	850	1600	750
GCDU 60.65	850	1600	750
GCDU 60.70	1000	1700	1700
GCDU 60.75	1000	1700	1700
GCDU 60.80	1000	1700	1700
GCDU 60.85	1000	1700	1700
GCDU 60.90	1000	1700	1700
GCDU 60.100	1000	1700	1700
GCDU 72.45	1000	1700	1900
GCDU 72.50	1000	1700	1900
GCDU 72.55	1000	1700	1900
GCDU 72.60	1000	1700	1900
GCDU 72.65	1000	1700	1900
GCDU 72.70	1000	1700	1900
GCDU 72.75	1000	1700	1900
GCDU 72.80	1000	1700	1900
GCDU 72.85	1000	1700	1900
GCDU 72.90	1000	1700	1900
GCDU 72.100	1000	1700	1900



DIMENSIONES DE GRUPOS GCDU

MODELO	DIMENSIONES		
	A	B	C
GCDU 84.45	1000	1700	1900
GCDU 84.50	1000	1700	1900
GCDU 84.55	1000	1700	1900
GCDU 84.60	1000	1700	1900
GCDU 84.65	1000	1700	1900
GCDU 84.70	1000	1700	1900
GCDU 84.75	1000	1700	1900
GCDU 84.80	1000	1700	1900
GCDU 84.85	1000	1700	1900
GCDU 84.90	1000	1700	1900
GCDU 84.100	1000	1700	1900
GCDU 96.45	1000	1700	1900
GCDU 96.50	1000	1700	1900
GCDU 96.55	1000	1700	1900
GCDU 96.60	1000	1700	1900
GCDU 96.65	1000	1700	1900
GCDU 96.70	1000	1700	1900
GCDU 96.75	1000	1700	1900
GCDU 96.80	1000	1700	2000
GCDU 96.85	1000	1700	2000
GCDU 96.90	1000	1700	2000
GCDU 96.100	1000	1700	2000
GCDU 96.110	1000	1700	2000
GCDU 108.45	1000	1700	1900
GCDU 108.50	1000	1700	1900
GCDU 108.55	1000	1700	1900
GCDU 108.60	1000	1700	1900
GCDU 108.65	1000	1700	1900
GCDU 108.70	1000	1700	1900
GCDU 108.75	1000	1700	1900
GCDU 108.80	1000	1700	2000
GCDU 108.85	1000	1700	2000
GCDU 108.90	1000	1700	2000
GCDU 108.100	1000	1700	2000
GCDU 108.110	1000	1700	2000



CONTRAINCENDIOS GCDU

COMPOSICION GRUPO

