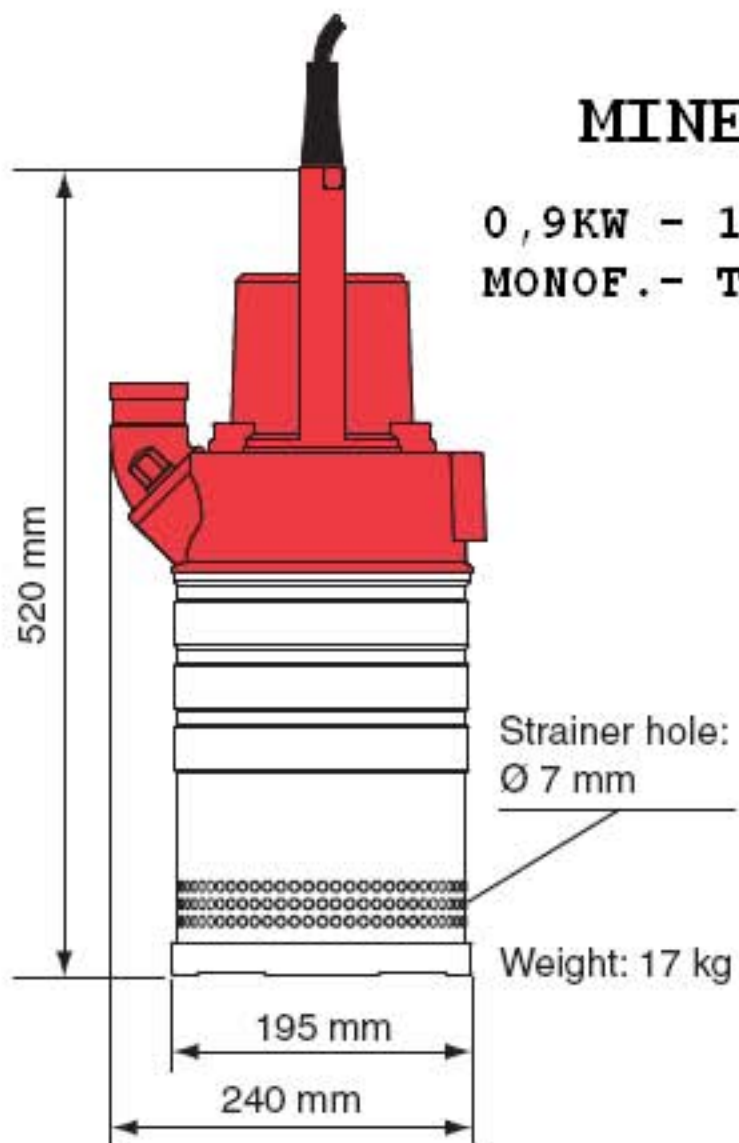
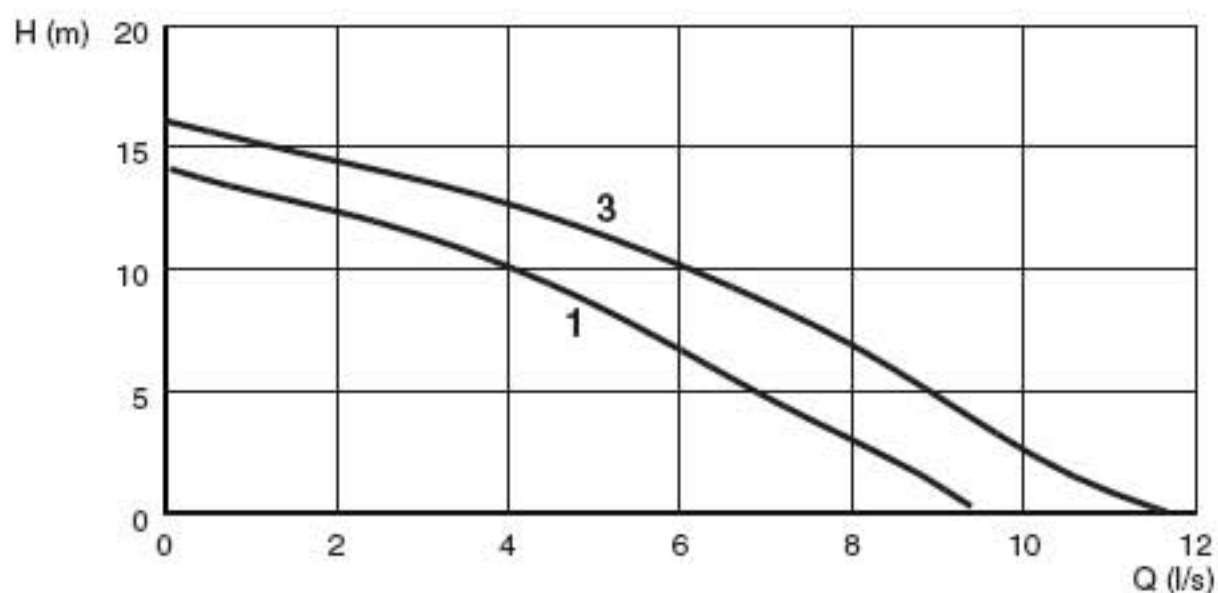
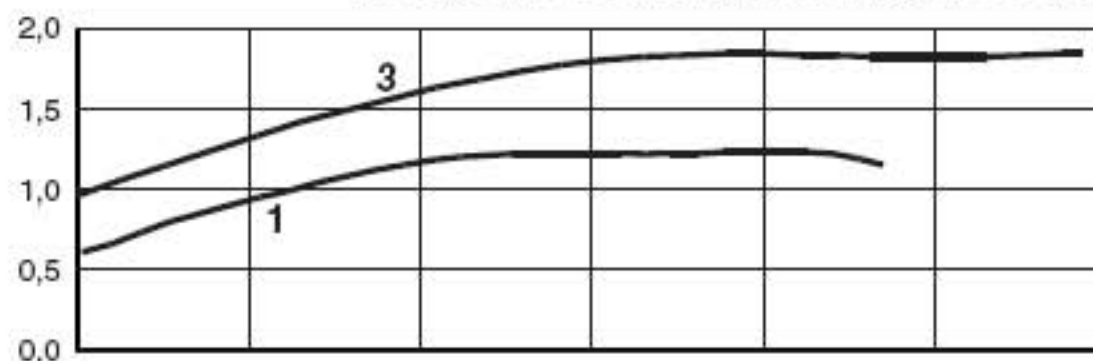


MINEX

0,9KW - 1,6KW
MONOF.- TRIF.

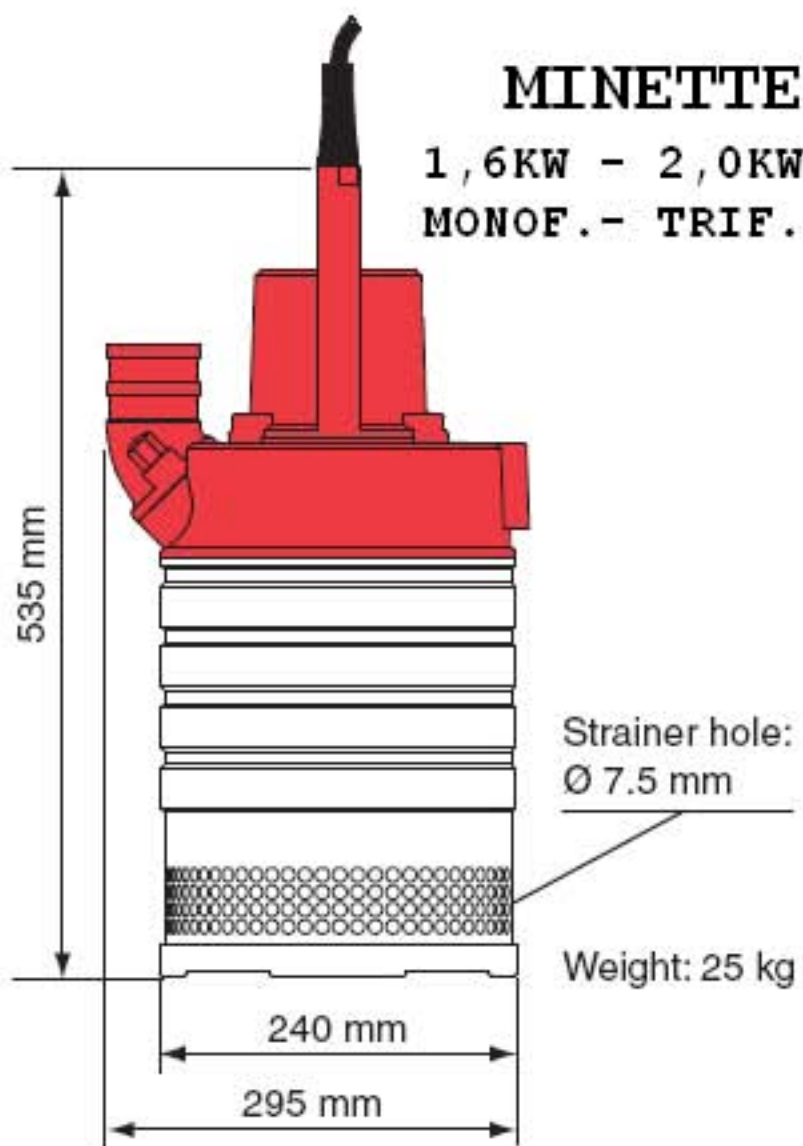


The curves have been designed according to ISO 2548C

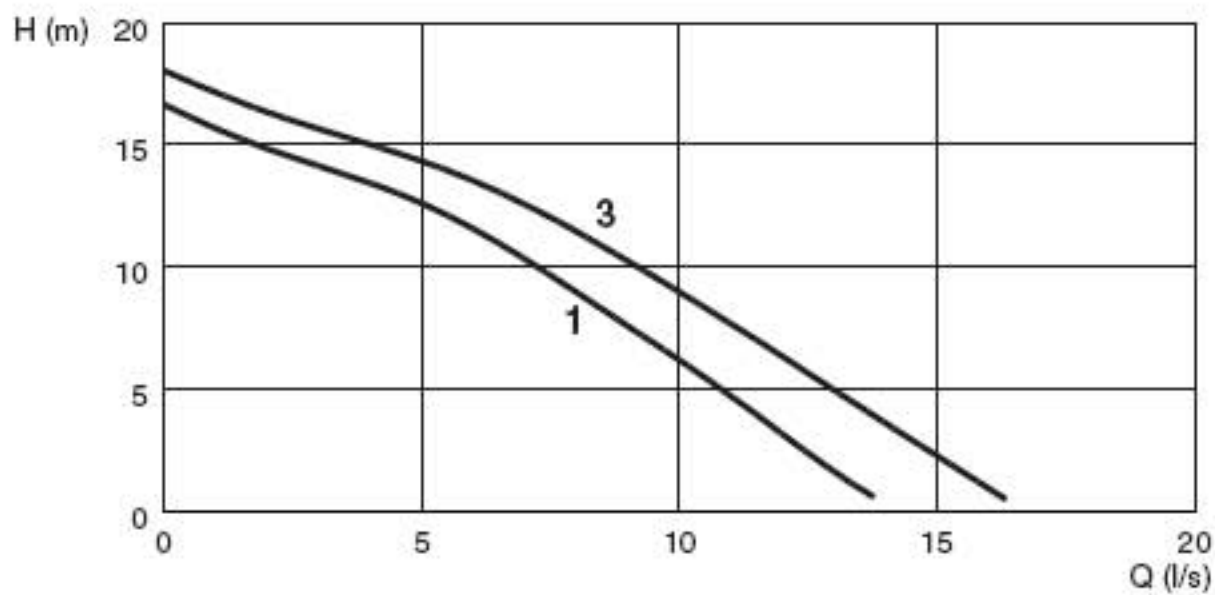
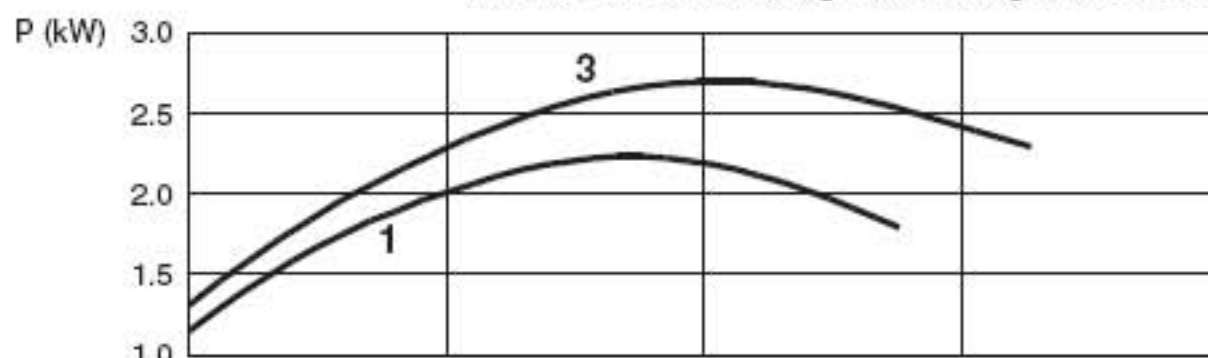


MINETTE

1,6KW - 2,0KW
MONOF.- TRIF.

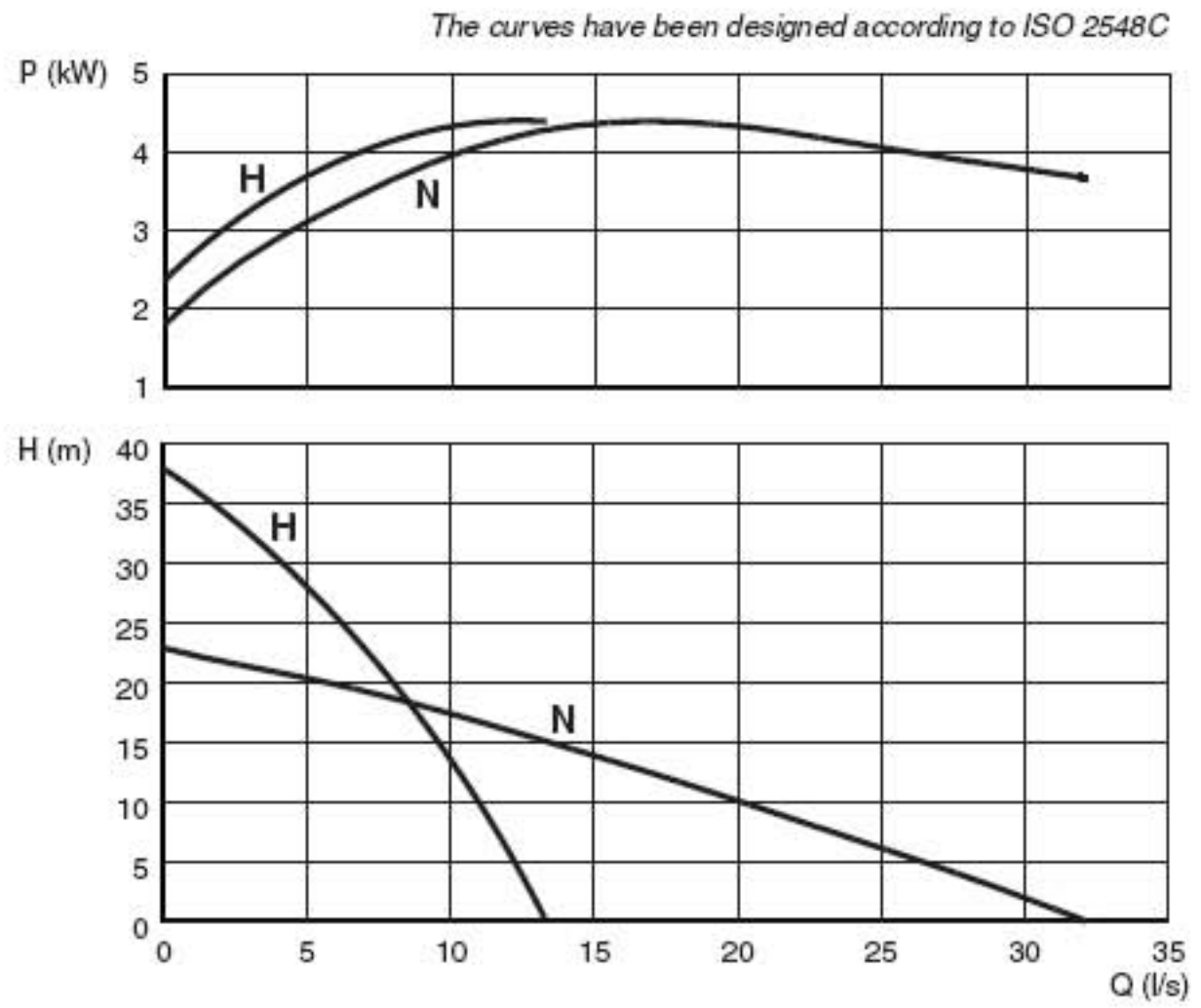
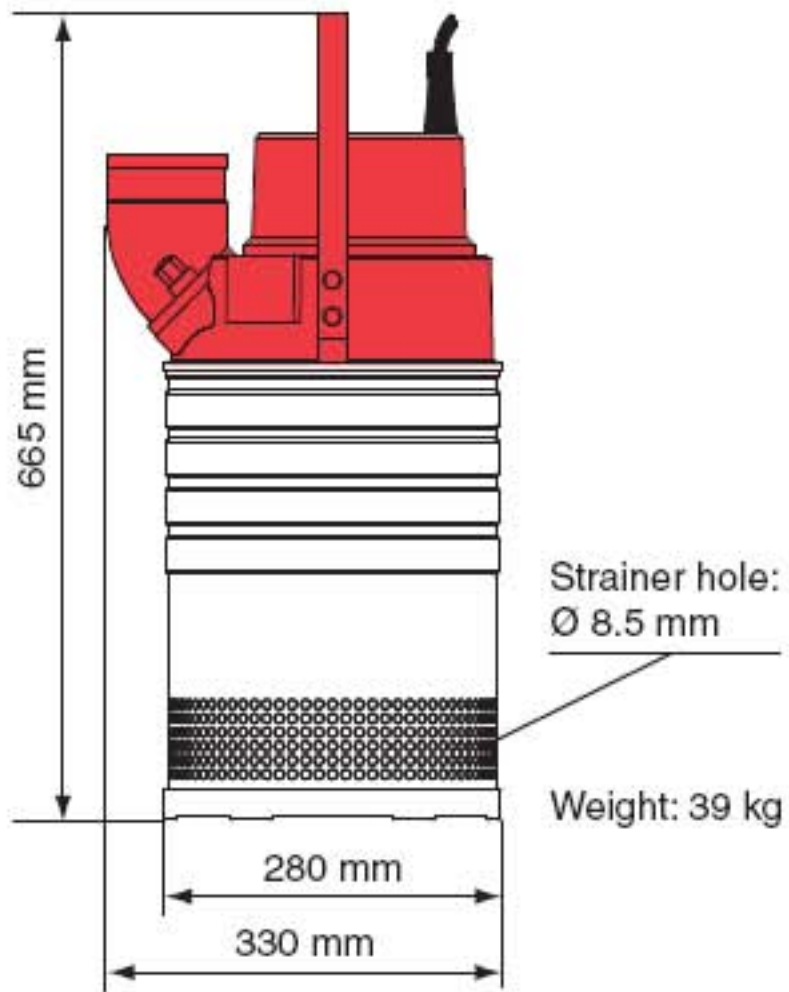


The curves have been designed according to ISO 2548C



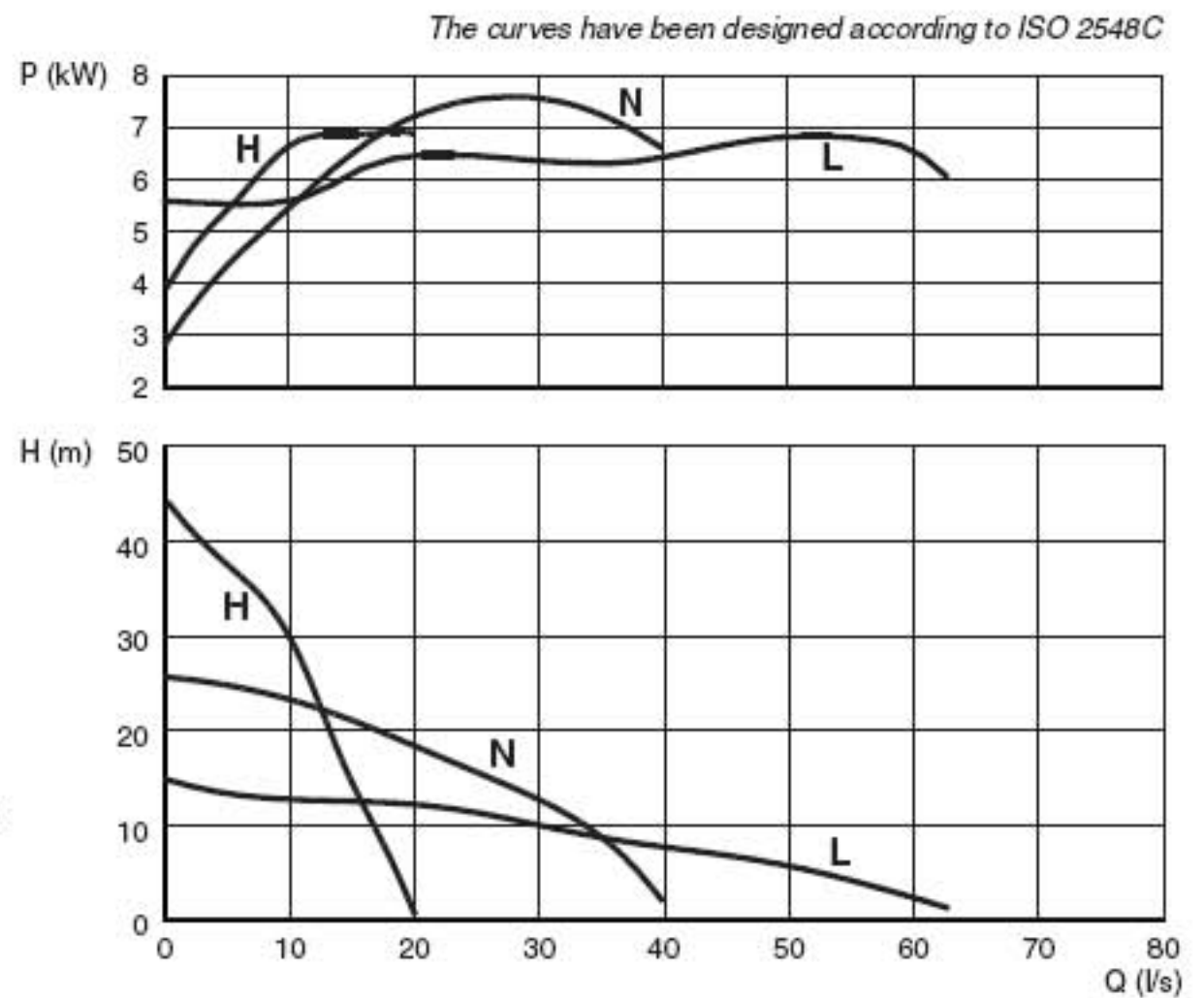
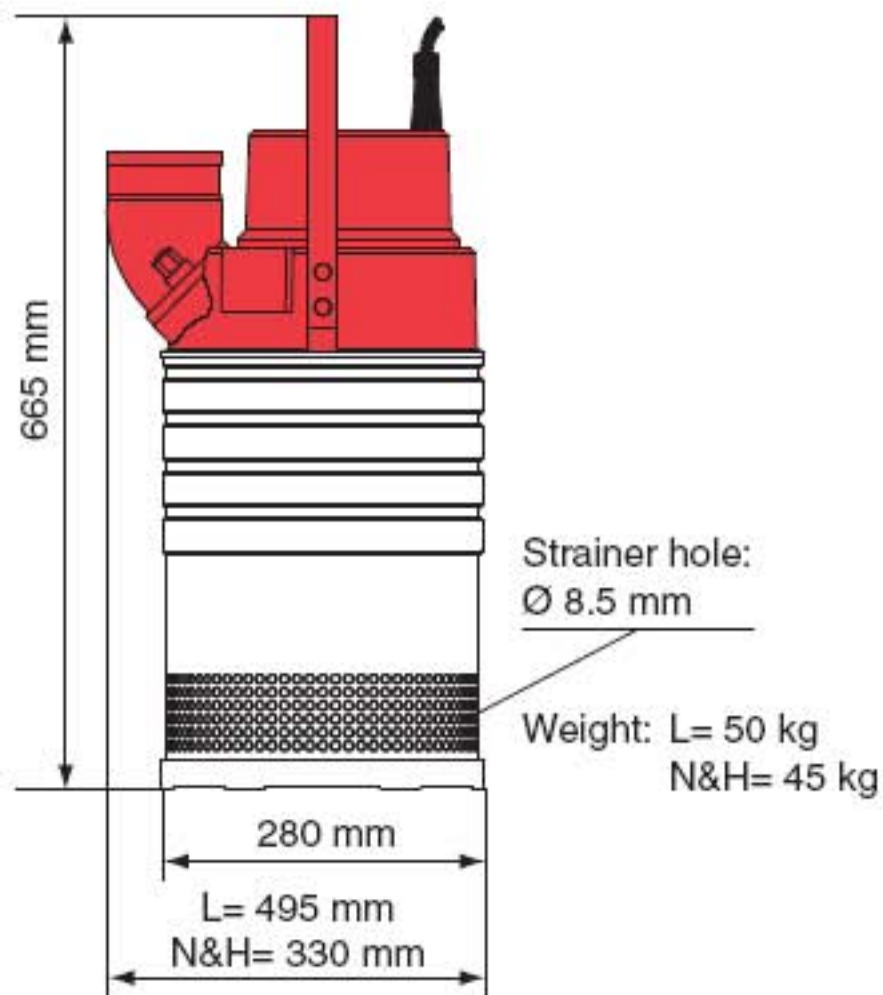
MINOR H-N

3,2KW 400V.



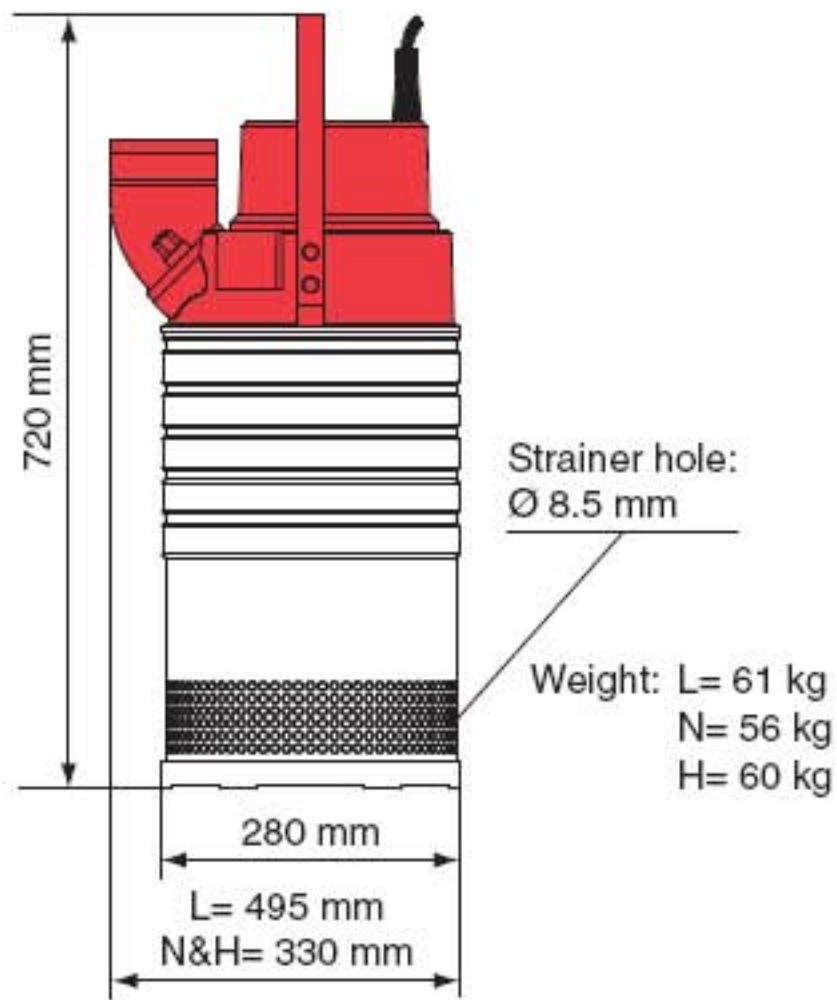
MAJOR H-N-L

6,1KW 400V.

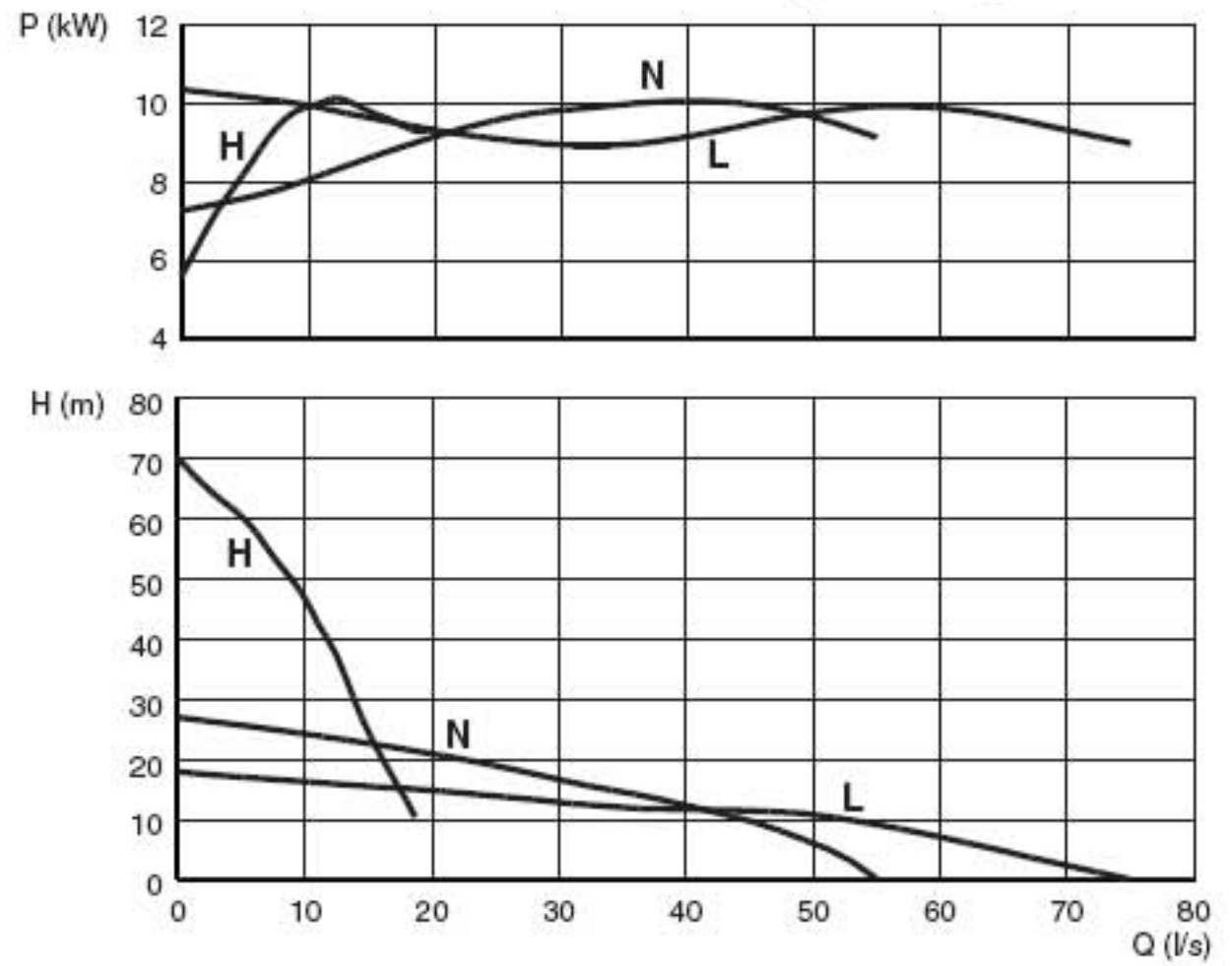


MASTER H-N-L

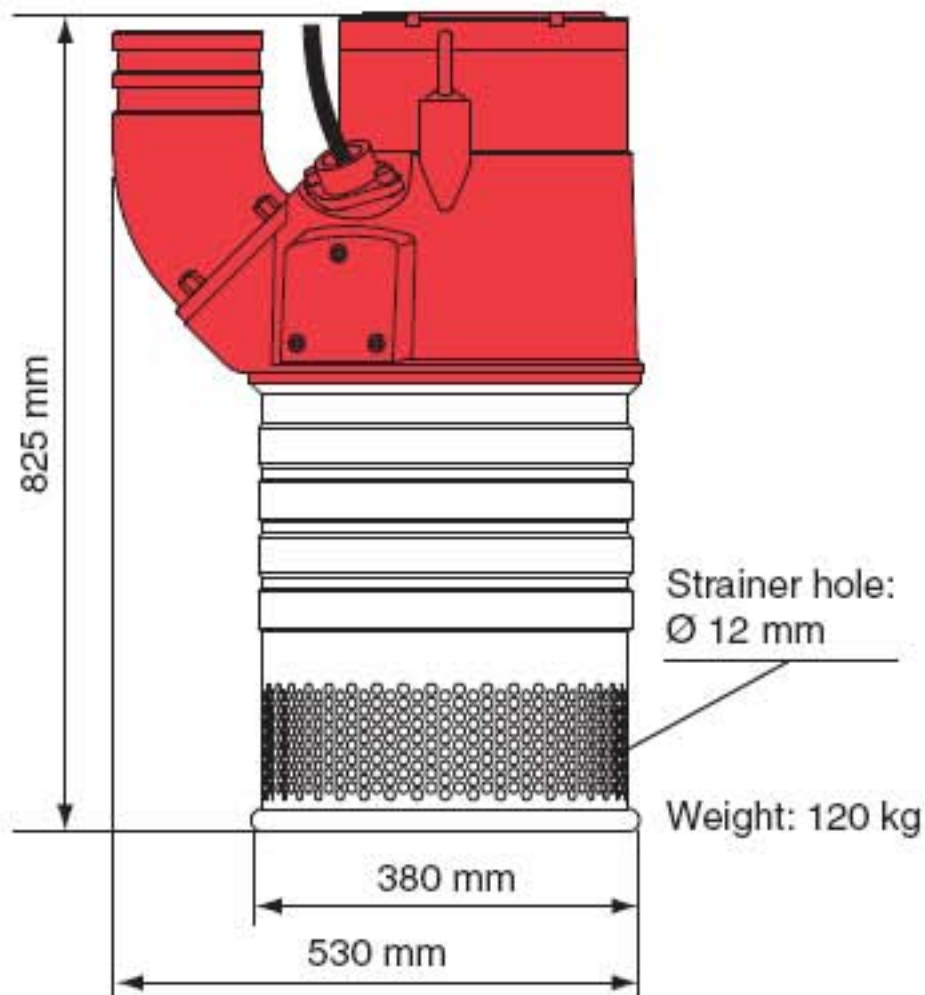
8.0KW 400V.



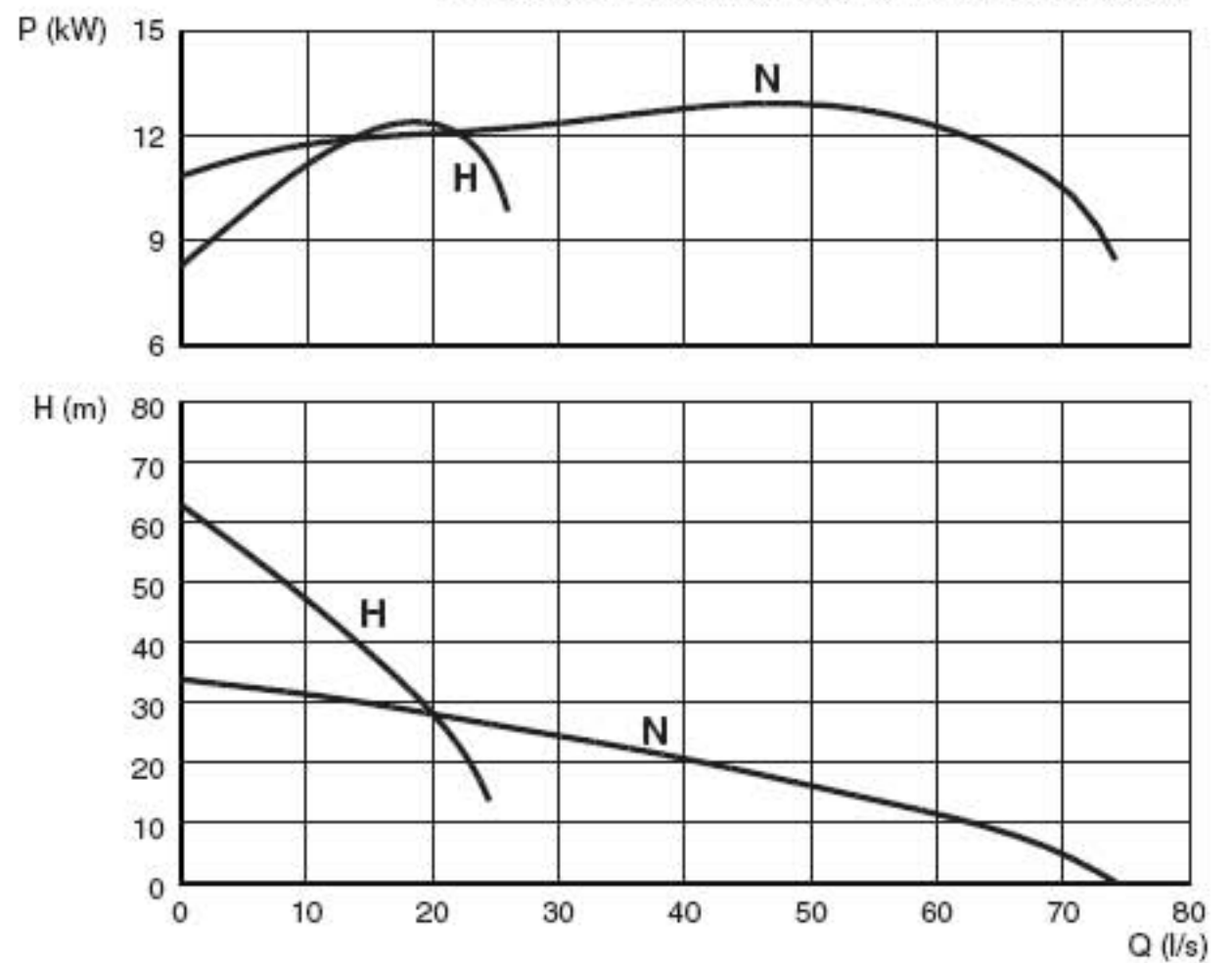
The curves have been designed according to ISO 2548C



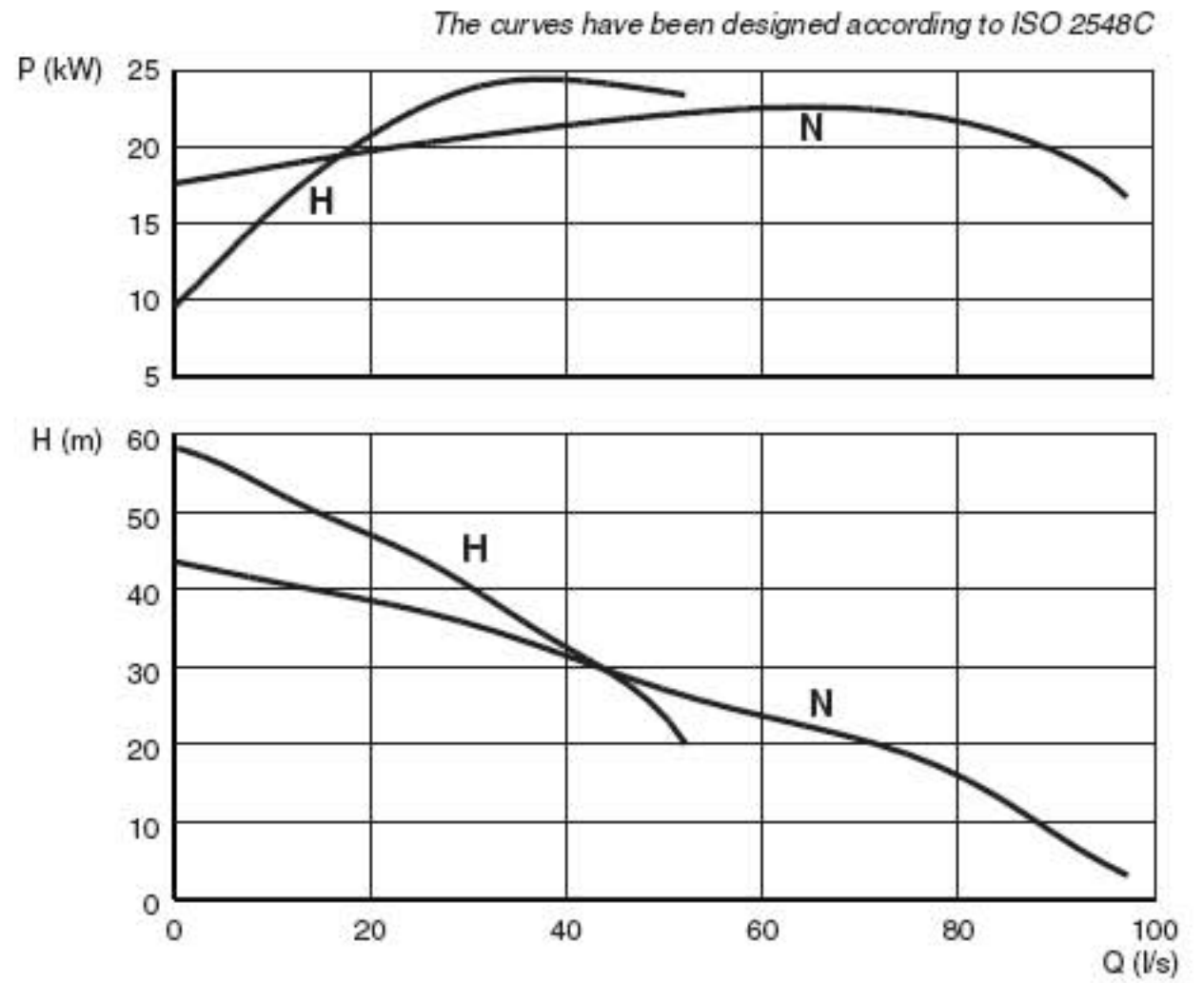
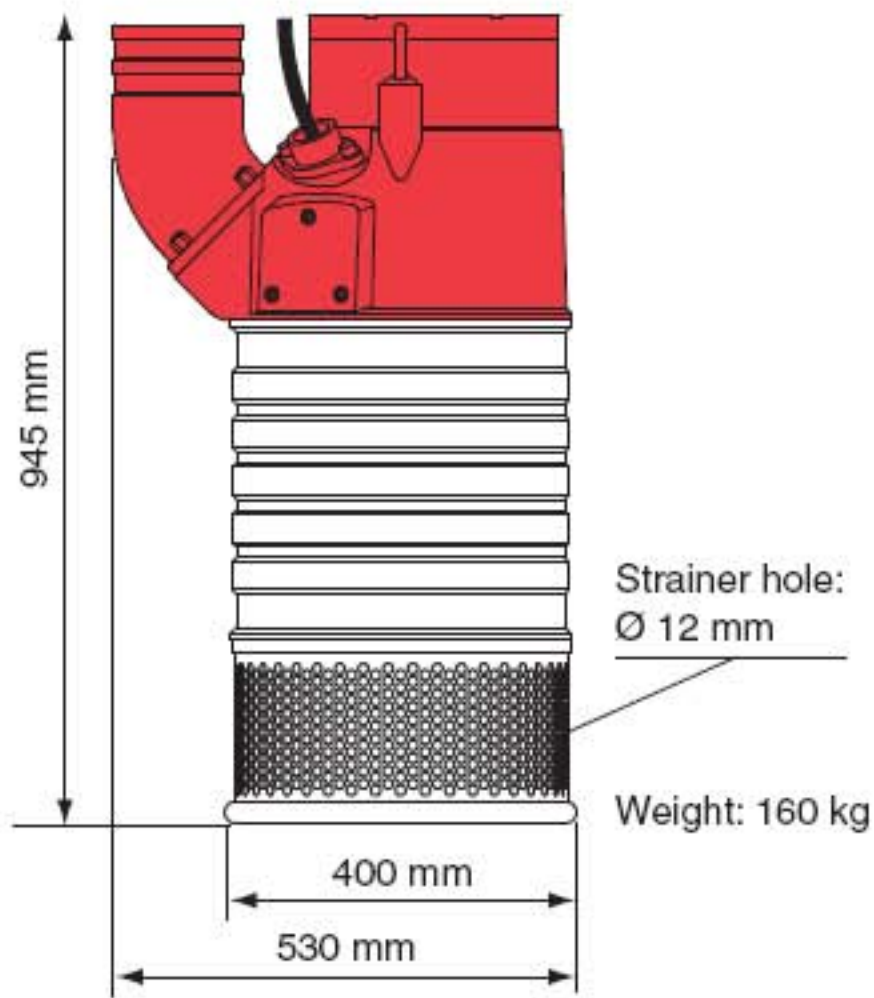
MIDI H-N 11KW. 400V.



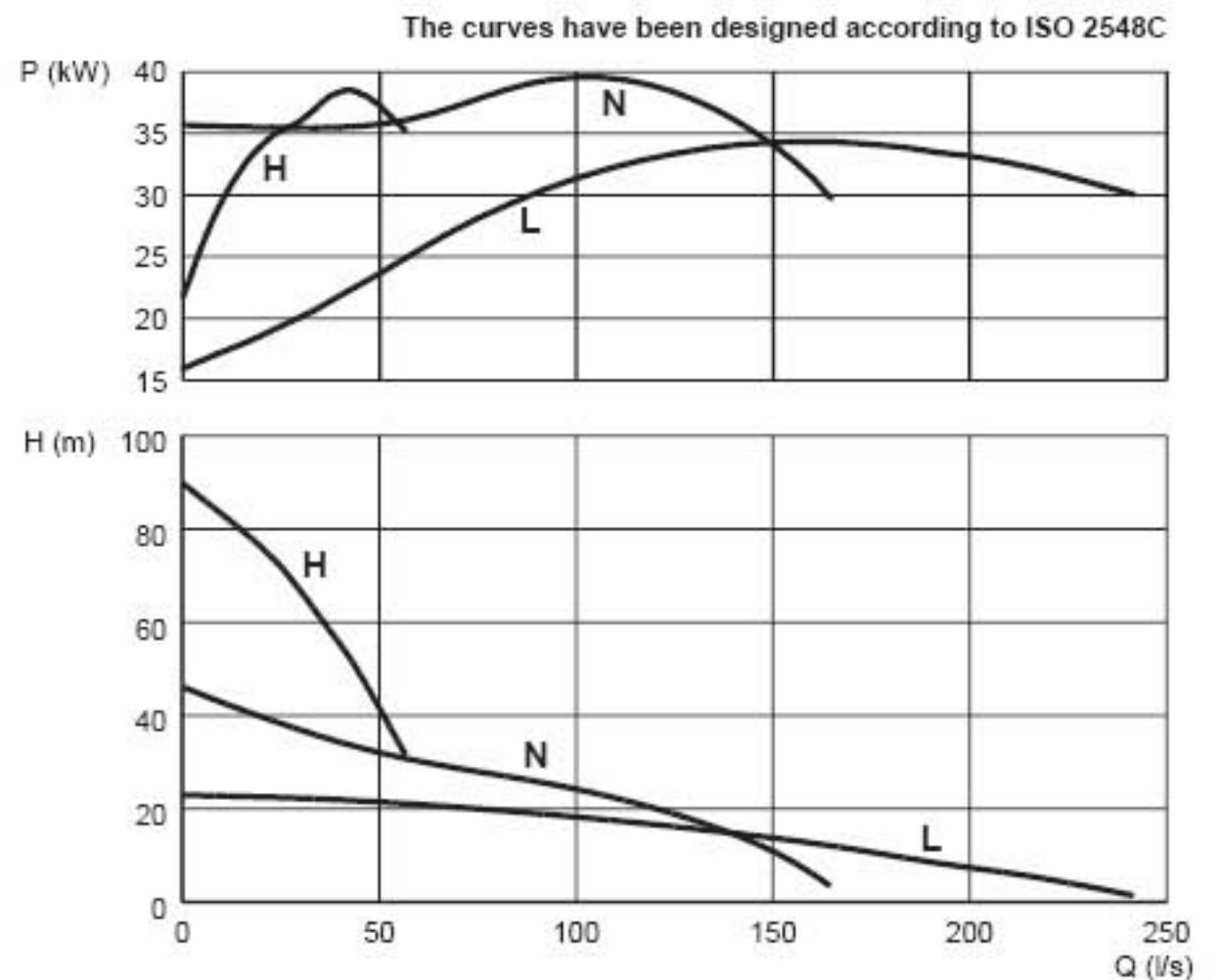
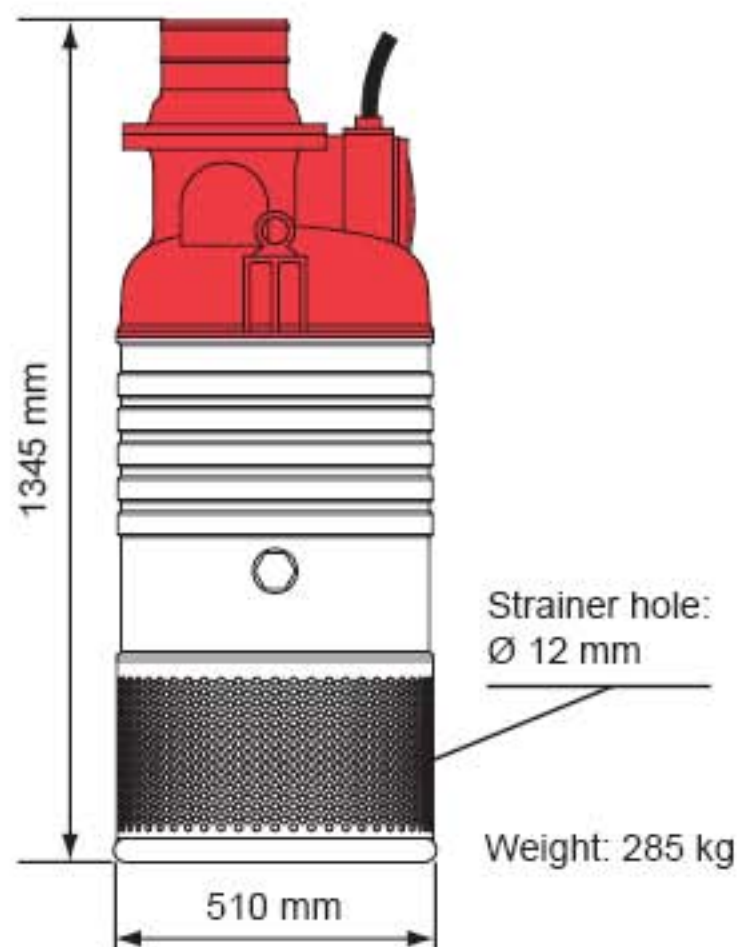
The curves have been designed according to ISO 2548C



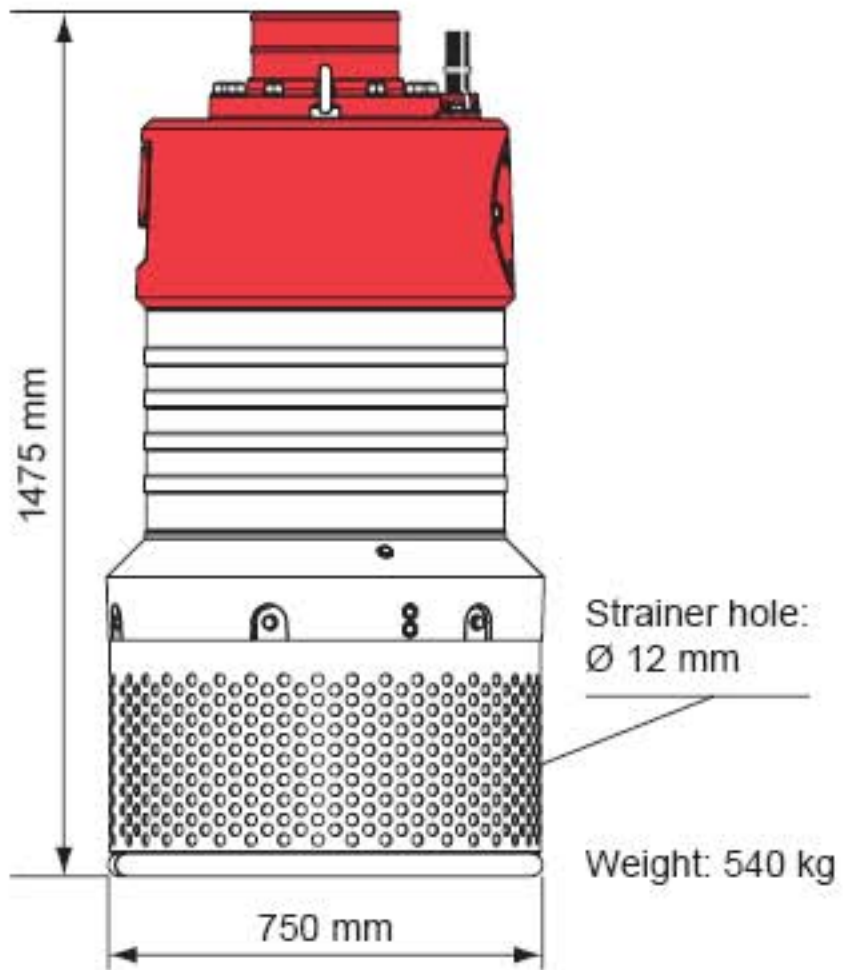
MATADOR H-N 20KW 400V.



MAXI H-N-L 33KW. 400V.



MAGNUM H-N-L 53KW. 400V.



The curves have been designed according to ISO 2548C

