

Bombas centrífugas (C)

Centrifugal Pumps (C)



Modelos Aral C3000 y Baikal C3000

Bomba centrífuga de 3.000 r.p.m. fabricada en hierro fundido (para el modelo Aral) y en bronce (para el modelo Baikal) que incorporan una voluta en espiral y el prefiltro adosado. El caudal de prueba es de hasta 190 m³/h a 10 m.c.a. Las bocas incorporan conexión por brida según norma DIN-2501 PN 16. Las conexiones de aspiración e impulsión disponibles van desde DN 80-3" hasta DN 125-5". El grado de protección del motor es IP-54 y el nivel de aislamiento de Clase F.

Materiales empleados:

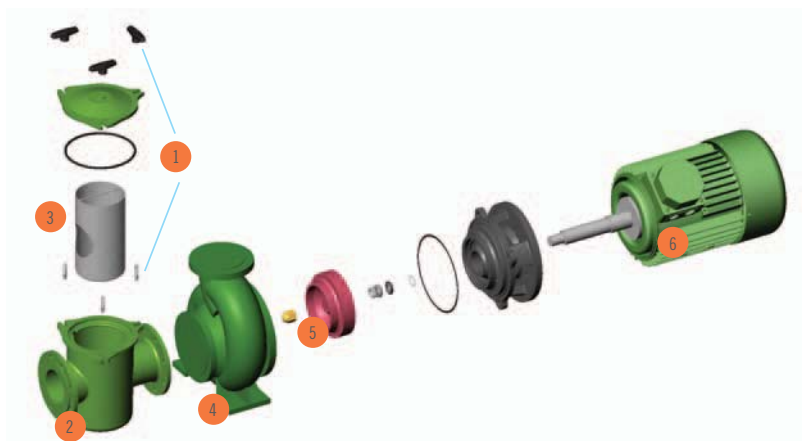
- Cuerpo y rodete de hierro fundido en el caso del modelo Aral. Bajo pedido se puede suministrar el rodete en bronce.
- En el caso del modelo Baikal, el cuerpo y el rodete es de bronce.
- Eje de acero inoxidable AISI-316.
- Sello mecánico con muelle de acero inoxidable AISI-316 (Aral).
- Sello mecánico con muelle de acero inoxidable AISI-316 y caras de contacto de carburo de tungsteno (Baikal).
- Cesto del prefiltro de acero inoxidable AISI-304.

Aral SP3000 and Baikal SP3000 models

3000 r.p.m. centrifugal pumps, in cast iron (Aral) and bronze (Baikal) with built-in volute and pre-filter. Flow up to 190 m³/h at 10 m.w.h. Outlets include flange connections in accordance with DIN-2501 PN16 standard. Suction / discharge connections from DN 80-3" to DN 125-5". The motor complies with IP-54 protection standards and Class F insulation.

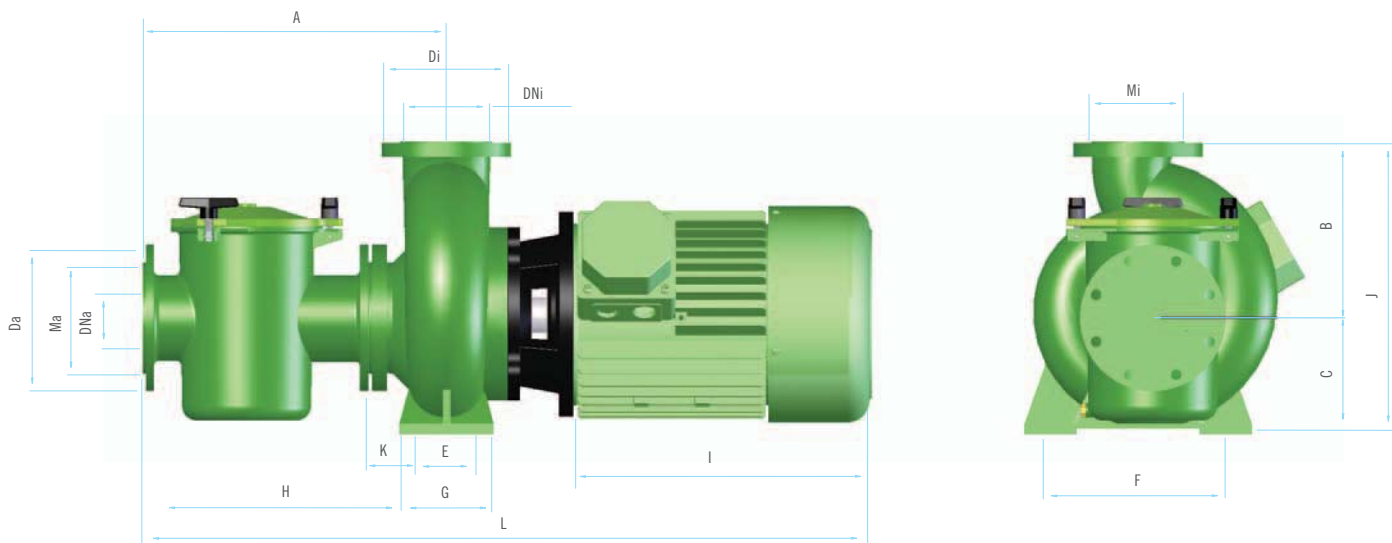
Materials:

- Aral models - pump housing and impeller in cast iron. The impeller can also be supplied in bronze if requested.
- Baikal models - pump housing and impeller in bronze.
- AISI-316 stainless steel shaft.
- AISI-316 stainless steel spring-loaded mechanical seal (Aral model).
- AISI-316 stainless steel spring-loaded mechanical seal with tungsten carbide contact points (Baikal model).
- AISI-304 stainless steel pre-filter strainer basket.



- 1 Sistema de fácil apertura/ cierre de prefiltro.
- 2 Bridas normalizadas DIN.
- 3 Cesto acero inoxidable.
- 4 Cuerpo bomba medidas normalizado.
- 5 Rodete equilibrado dinámicamente.
- 6 Motor eurotensión, aislamiento clase F.

- 1 Easy open / close pre-filter.
- 2 DIN Standard flanges.
- 3 Stainless steel strainer basket.
- 4 Standard measurement pump housing.
- 5 Dynamically balanced impeller.
- 6 Eurotension motor, Class F insulation.



Dimensiones Measurements

| Aral | Baikal | A | B | C | Da | Di | DNa | DNi | E | F | G | H | I | J | K | L | Ma | Mi |
|--------------|--------------|-----|-----|-----|-----|-----|-----|-----|----|-----|-----|-----|-----|-----|----|------|-----|-----|
| 01193 | 01242 | 485 | 180 | 160 | 200 | 200 | 80 | 80 | 70 | 212 | 100 | 435 | 245 | 340 | 65 | 888 | 160 | 160 |
| 01194/ 01195 | 01243/ 01244 | 485 | 180 | 160 | 200 | 200 | 80 | 80 | 70 | 212 | 100 | 435 | 245 | 340 | 65 | 888 | 160 | 160 |
| 01196/ 01197 | 01245/ 01246 | 485 | 180 | 160 | 200 | 200 | 80 | 80 | 70 | 212 | 100 | 435 | 273 | 340 | 65 | 920 | 160 | 160 |
| 01198/ 01199 | 01247/ 01248 | 487 | 205 | 160 | 220 | 220 | 100 | 100 | 95 | 187 | 125 | 425 | 273 | 365 | 55 | 940 | 180 | 180 |
| 01200/ 01201 | 01249/ 01250 | 487 | 205 | 160 | 220 | 220 | 100 | 100 | 95 | 187 | 125 | 425 | 315 | 365 | 55 | 976 | 180 | 180 |
| 01202/ 01203 | 01251/ 01254 | 487 | 205 | 160 | 220 | 220 | 100 | 100 | 95 | 187 | 125 | 425 | 315 | 365 | 55 | 976 | 180 | 180 |
| 01204/ 01205 | 01253/ 01254 | 487 | 205 | 160 | 250 | 250 | 125 | 125 | 95 | 187 | 125 | 425 | 355 | 365 | 55 | 1016 | 210 | 210 |
| 01206/ 01207 | 01255/ 01256 | 517 | 233 | 181 | 250 | 250 | 125 | 125 | 95 | 187 | 125 | 455 | 355 | 414 | 70 | 1029 | 210 | 210 |

Medidas en mm
Sizes in mm

Características técnicas Technical data

| Aral | Baikal | Tensión Voltage (V) | Intensidad (A) Intensity (A) | | Potencia Power | | Conexiones aspiración Inlet connections | | | | | Conexiones impulsión Outlet connections | | | | |
|-------|--------|---------------------------|---------------------------------|--------------|-------------------|------|--|--------|-----|-----|----|--|--------|-----|-----|----|
| | | | III 230 V | III 400 V | kW | CV | Da | DNa | Pa | Qa | | Da | DNa | Pa | Qa | |
| | | | | | | | | | | N.º | Ø | | | | N.º | Ø |
| 01193 | 01242 | 230/400 | 9 | 5,2 | 2,20 | 3 | 200 | 80-3" | 160 | 8 | 18 | 200 | 80-3" | 160 | 8 | 18 |
| 01194 | 01243 | 230/400 | 12 | 7 | 2,95 | 4 | 200 | 80-3" | 160 | 8 | 18 | 200 | 80-3" | 160 | 8 | 18 |
| 01195 | 01244 | 400/690 | - | 7 | | | | | | | | | | | | |
| 01196 | 01245 | 230/400 | 16 | 9,1 | 4 | 5,5 | 200 | 80-3" | 160 | 8 | 18 | 220 | 80-3" | 160 | 8 | 18 |
| 01197 | 01246 | 400/690 | - | 9,1 | | | | | | | | | | | | |
| 01198 | 01247 | 230/400 | 16 | 9,1 | 4 | 5,5 | 220 | 100-4" | 180 | 8 | 18 | 220 | 100-4" | 180 | 8 | 18 |
| 01199 | 01248 | 400/690 | - | 9,1 | | | | | | | | | | | | |
| 01200 | 01249 | 230/400 | 19 | 11 | 5,5 | 7,5 | 220 | 100-4" | 180 | 8 | 18 | 220 | 100-4" | 180 | 8 | 18 |
| 01201 | 01250 | 400/690 | - | 11 | | | | | | | | | | | | |
| 01202 | 01251 | 230/400 | 26 | 15 | 7,5 | 10 | 220 | 100-4" | 180 | 8 | 18 | 220 | 100-4" | 180 | 8 | 18 |
| 01203 | 01254 | 400/690 | - | 15 | | | | | | | | | | | | |
| 01204 | 01253 | 230/400 | 39 | 22 | 8,7 | 12,5 | 250 | 125-5" | 210 | 8 | 18 | 220 | 100-4" | 210 | 8 | 18 |
| 01205 | 01254 | 400/690 | - | 22 | | | | | | | | | | | | |
| 01206 | 01255 | 230/400 | 39 | 22,5 | 11,04 | 15 | 250 | 125-5" | 210 | 8 | 18 | 250 | 125-5" | 210 | 8 | 18 |
| 01207 | 01256 | 400/690 | - | 22,5 | | | | | | | | | | | | |

Medidas en mm
Sizes in mm