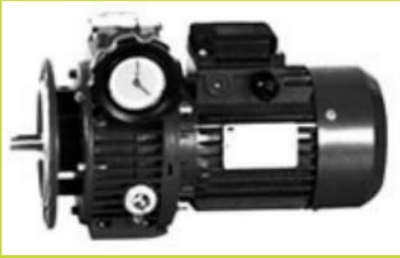


# MOTOVARIADORES DE DISCOS PLANETARIOS



## *STEPLESS SPEED MOTOR-VARIATORS*

**Prestaciones de los motovariadores tipo MVB**  
**Performance of stepless speed motor-variators type MVB**

n1 = 1400 r.p.m.					
Motor KW (HP)	Tipo Type	i	Reducción Ratio	Salida	Output
				n2 r.p.m.	M2 Nm.
0.18 (0.25)	MVB 0.18		1.6 – 8.2	880 – 170	1.5 – 3
0.37 (0.50)	MVB 0.37		1.7 – 7	1000 – 200	3 – 6
0.55 (0.75)	MVB 0.75		1.7 – 7	1000 – 200	4 – 8
0.75 (1.00)	MVB 0.75		1.7 – 7	1000 – 200	6 – 12
1.10 (1.50)	MVB 1.50		1.7 – 7	1000 – 200	9 – 18
1.50 (2.00)	MVB 1.50		1.7 – 7	1000 – 200	12 – 24
2.20 (3.00)	MVB 2.20		1.7 – 7	1000 – 200	18 – 36
3.00 (4.00)	MVB 2.20		1.7 – 7	1000 – 200	24 – 48
4.00 (5.50)	MVB 4.00		1.7 – 7	1000 – 200	32 – 64
5.50 (7.50)	MVB 7.50		1.7 – 7	1000 – 200	45 – 90
7.50 (10.0)	MVB 7.50		1.7 – 7	1000 – 200	58 – 118

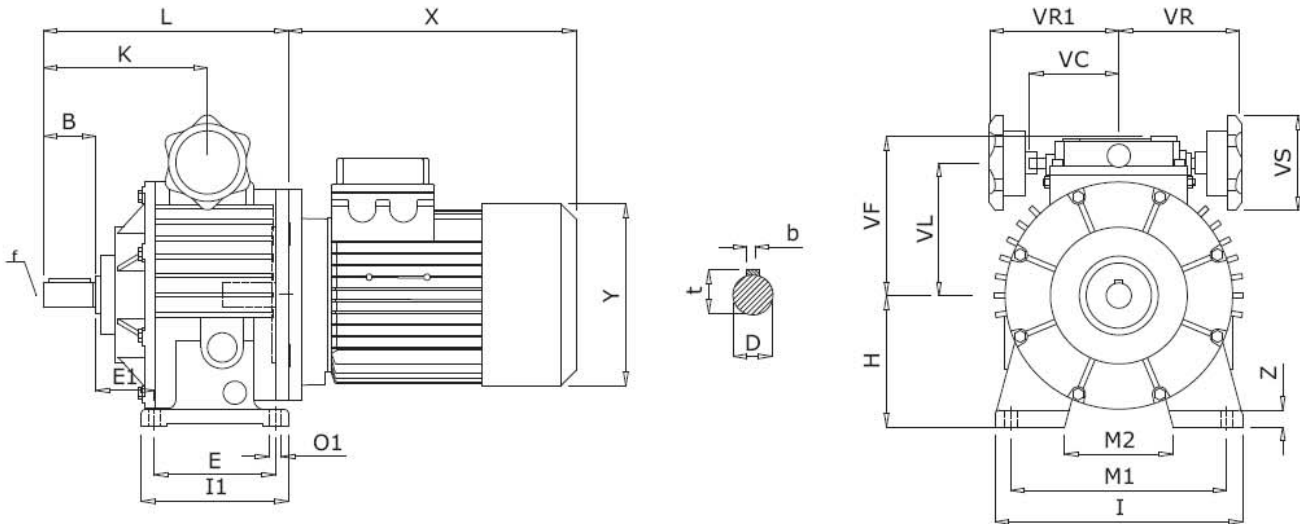
**Prestaciones de los motovariadores-reductores compactos tipo MVB/C**  
**Performance of motor-variators with gear reducer type MVB/C**

Motor KW (HP)	Tipo Type	i	Reducción Ratio	Salida	Output
				n2 r.p.m.	M2 Nm.
0.18 (0.25) 4P n1 = 1400	MVB 0.18-C		2.5	352 – 68	3.5 – 7.4
			3.3	266 – 51.5	4.7 – 10
			5	176 – 34	7 – 15
	MVB 0.18-2C		8	110 – 21	10 – 20
			11	80 – 15.5	14 – 28
			13.3	66 – 13	17 – 34
			16.6	53 – 10	21 – 42
0.37 (0.50) 4P n1 = 1400	MVB 0.37-C		2.5	400 – 80	7.5 – 13
			3.3	300 – 60	9.5 – 20
			5	200 – 40	15 – 30
	MVB 0.37-2C		8	125 – 25	20 – 40
			11	90 – 18	28 – 56
			13.3	75 – 15	34 – 68
			16.6	60 – 12	42 – 84
0.75 (1.00) 4P n1 = 1400	MVB 0.75-C		2.5	400 – 80	15 – 29
			3.3	300 – 60	19 – 38
			5	200 – 40	30 – 60
	MVB 0.75-2C		8	125 – 25	40 – 80
			11	90 – 18	54 – 108
			13.3	75 – 15	68 – 136
			16.6	60 – 12	84 – 168
	20	50 - 10	96 – 140		

## Dimensiones Overall dimensions

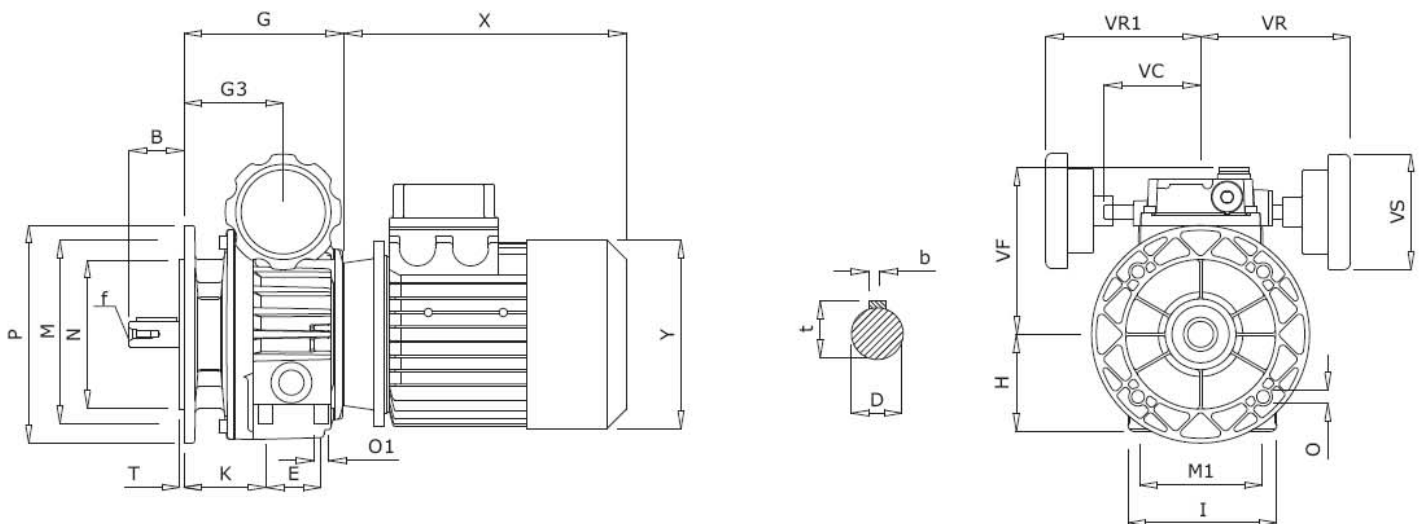
### Modelos básicos sin reductor Basic models

#### B3



	B	D	E	E1	H	I	H	K	L	M1	M2	O1	VC	VF	VL	VR	VR1	VS	b	f	t	X	Y	Z
<b>MVB 0.18</b>	23	11	105	17.5	80	145	120	87.5	135.5	110	71	9	71	111	78	110	110	85	4	-	12.5	200	120	10
<b>MVB 0.37</b>	30	14	104	20	93	149	125	104	140	120	96	9	71	123	90	110	110	85	5	M6	16	227	141	10
<b>MVB 0.75</b>	40	19	125	26	113	190	150	125.5	179	160	135	11	79	140	107	120	120	110	6	M6	21.5	268	160	15
<b>MVB 1.50</b>	50	24	115	53.5	123	241	150	165	238	190	143	13	-	144	122	150	-	110	8	M8	27	290	195	18
<b>MVB 2.20</b>	60	30	230	25	150	300	270	191	268	245	190	14	-	188	150	160	-	110	8	M8	33	320	215	25
<b>MVB 4.00</b>	60	30	230	25	150	300	270	191	268	245	190	14	-	188	150	160	-	110	8	M8	33	340	240	25
<b>MVB 7.50</b>	70	35	250	33	200	365	290	201	319	315	245	18	-	-	192	194	-	110	10	M10	38	435	275	30

#### B5

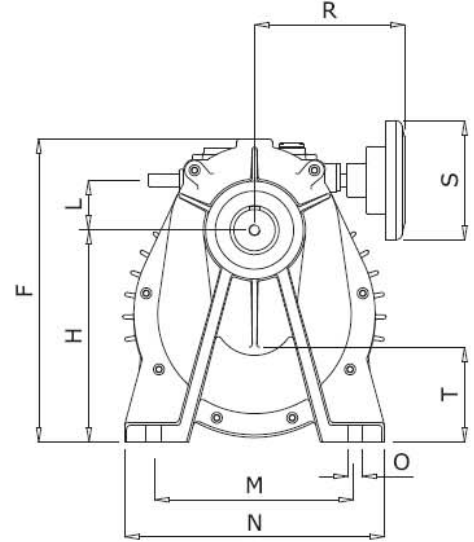
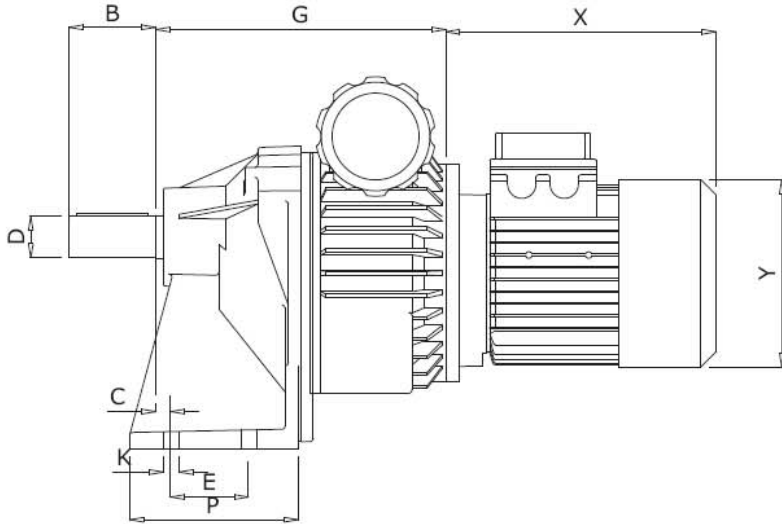


	B	D	E	G	G3	H	I	M	M1	N	P	T	K	VC	VF	VL	VR	VR1	VS	b	f	t	X	Y
<b>MVB 0.18</b>	23	11	50	112.5	64.5	70	72	115	60	95	140	3.5	46	71	111	78	110	110	85	4	-	12.5	200	120
<b>MVB 0.37</b>	30	14	40	110	74	80	90	130	77	110	160	3.5	53	71	123	90	110	110	85	5	M6	16	227	141
<b>MVB 0.75</b>	40	19	58	139	85.5	100	98	165	84	130	200	3.5	60	79	140	107	120	120	110	6	M6	21.5	268	160
<b>MVB 1.50</b>	50	24	-	188	115	126	241	165	-	130	200	3.5	-	-	144	122	150	-	110	8	M8	27	290	195
<b>MVB 2.20</b>	60	28	-	208	131	150	270	265	-	230	300	4	-	-	188	150	160	-	110	8	M8	31	320	215
<b>MVB 4.00</b>	60	28	-	208	131	150	270	265	-	230	300	4	-	-	188	150	160	-	110	8	M8	31	340	240
<b>MVB 7.50</b>	70	38	-	244	131	200	-	300	-	250	350	5	-	-	-	192	194	-	110	10	M10	41	435	275

**Dimensiones**  
**Overall dimensions**

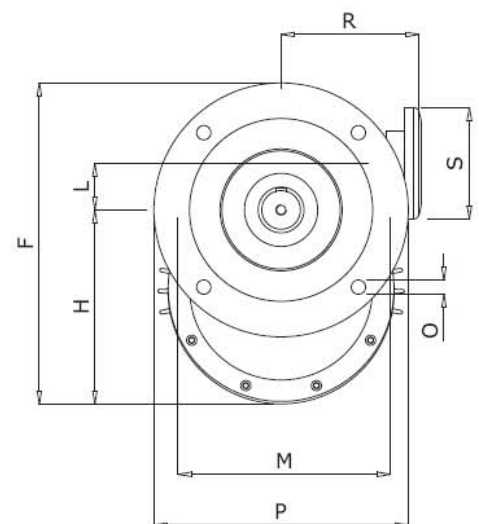
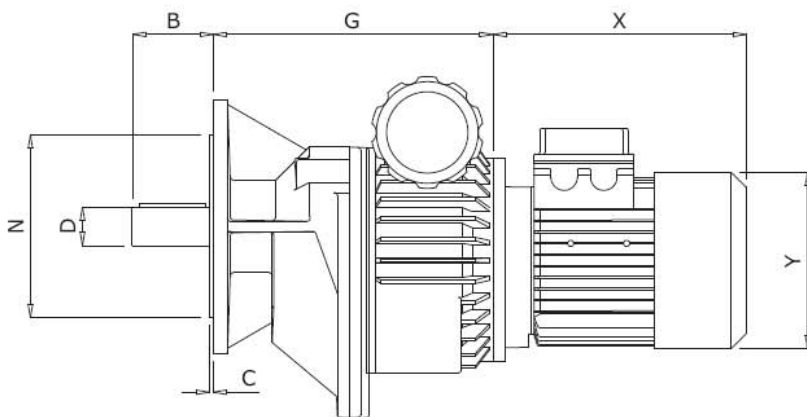
**Modelos compactos con un tren de engranajes**  
**Model basic & one-stage gear unit**

**B3 PATAS / FOOT**



	B	C	D	E	F	G	H	Y	L	M	N	O	P	R	S	T	X	K
<b>MVB 0.18 - C</b>	40	18	19	45	162	189	108	120	33	115	130	9	80	110	85	66	200	16
<b>MVB 0.37 - C</b>	50	6	24	70	187	190	130	141	39	150	190	10	110	110	85	79	227	15
<b>MVB 0.75 - C</b>	60	7	28	70	228	225	160	160	46	165	210	12	130	130	110	99	268	25

**B5 BRIDA / FLANGE**

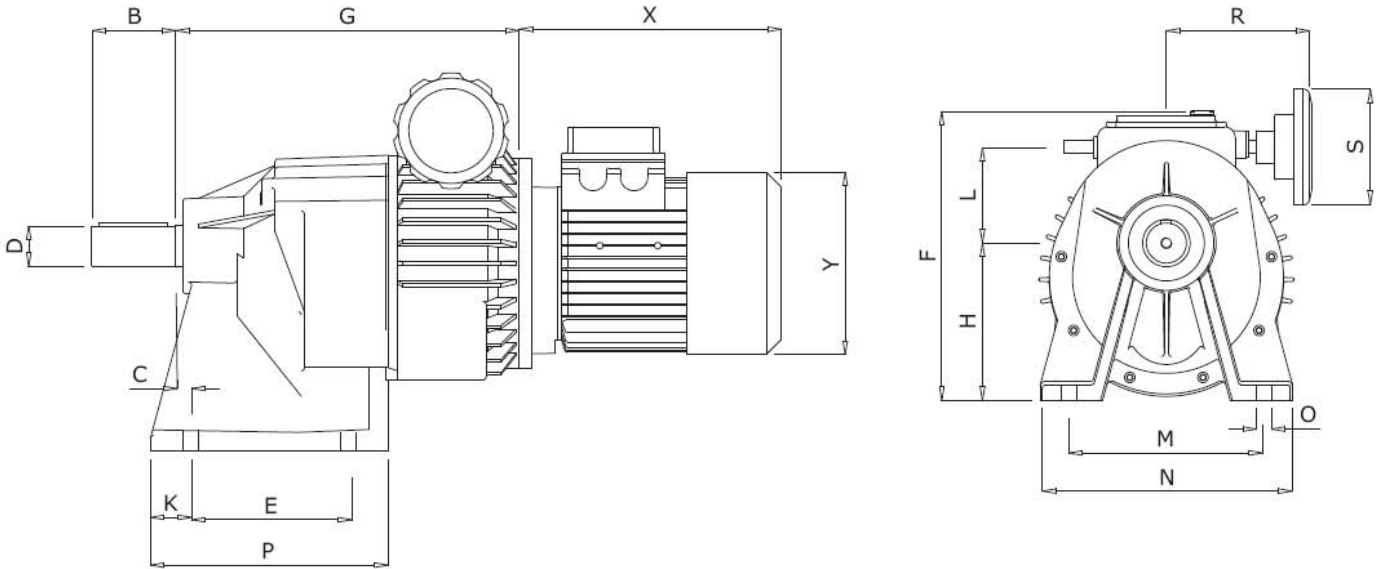


	B	C	D	F	G	H	Y	L	M	N	O	P	R	S	X
<b>MVB 0.18 - C</b>	40	3	19	176	191	105	120	33	115	95	9	140	110	85	200
<b>MVB 0.37 - C</b>	50	4	24	208	192	128	141	39	130	110	10.5	160	110	85	227
<b>MVB 0.75 - C</b>	60	4	28	255	227	155	160	46	165	130	12.5	200	130	110	268

**Dimensiones**  
**Overall dimensions**

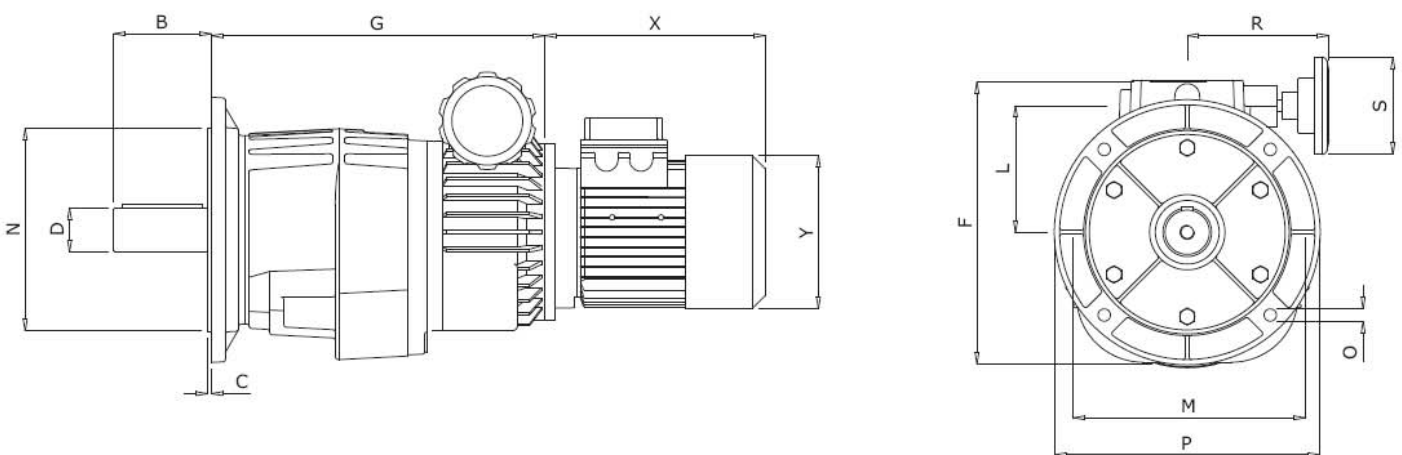
**Modelos compactos con dos trenes de engranajes**  
**Model basic & two-stage gear unit**

**B3 PATAS / FOOT**



	B	C	D	E	F	G	H	Y	L	M	N	O	P	R	S	X	K
<b>MVB 0.18 – 2C</b>	40	27	19	70	201	229	105	120	78	105	130	9	120	110	85	200	21
<b>MVB 0.37 – 2C</b>	55	25	28	85	216	238	110	141	90	150	190	10	140	110	85	227	19
<b>MVB 0.75 – 2C</b>	65	34	32	90	261	278	154	160	107	185	230	12	150	130	110	268	21

**B5 BRIDA / FLANGE**



	B	C	D	F	G	Y	L	M	N	O	P	R	S	X
<b>MVB 0.18 – 2C</b>	40	3	19	198	231	120	78	115	95	9	140	110	85	200
<b>MVB 0.37 – 2C</b>	65	4	28	223	240	141	90	130	110	10.5	160	110	85	227
<b>MVB 0.75 - 2C</b>	65	4	32	262	280	160	107	165	130	12.5	200	130	110	268