



## MAIN FEATURES

- High reliability • Good performance
- Low noise level • Lightweight
- Simple construction

## APPLICATIONS

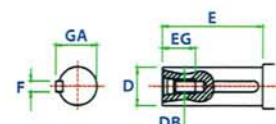
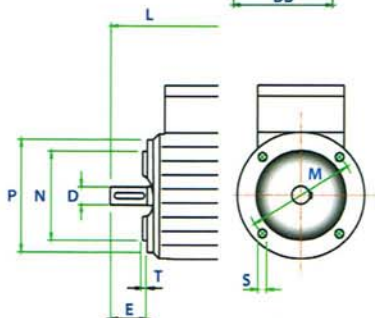
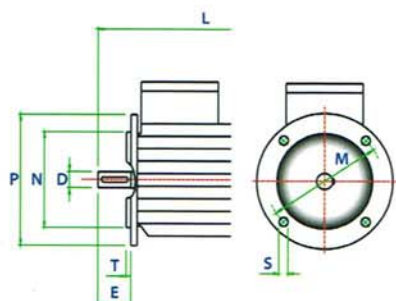
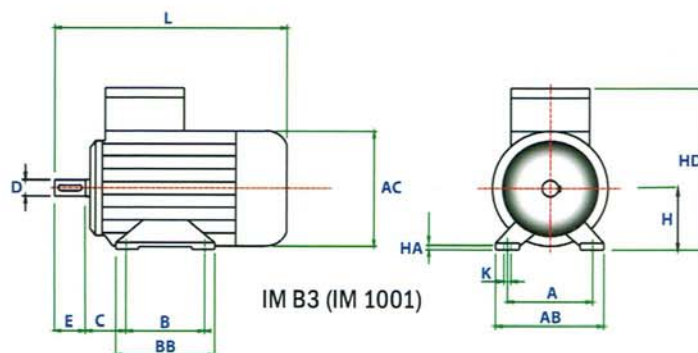
- Air-compressors • Pumps • Fans
- Medical apparatus & instruments
- Domestic appliances • Small machines

## TECHNICAL CHARACTERISTICS

- Protection degree IP55
- Insulation class F
- S1 duty
- Maximum ambient temperature: +40 °C
- Installation ≤1000 m a.s.l.
- Starting torque to 0,7



## OVERALL DIMENSIONS



IM B5 (IM 3001)

IM B14 (IM 3601)

SHAFT EXTENSION

DIMENSIONS																													
FRAME SIZE		B3										B5					B14					TAPPED HOLES AS PER DIN 332							
IEC	POLES	A	AB	AC	B	BB	C	H	HA	HD	K	L	M	N	P	S	T	M	N	P	S	T	D	TOLL.	E	Fh9	GA	DB	EG
63	2-4	100	120	130	80	100	40	63		116		212	115	95	140		3	75	60	90	M5		11	j6	23	4	8,5	M4	10
71	2-4	112	132	145	90	110	45	71	7	123		255	130	110	160	10	3,5	85	70	105	M6	2,5	14		30	5	11	M5	12
80	2-4	125	157	165	100	125	50	80	8	143		290						100	80	120	M6	3	19		40	6	15,5	M6	16
90	S 2-4	140	172	185	100	155	56	90	10	150	10	335	165	130	200	12	3,5	115	95	140	M8	3	24	j6	50	8	20	M8	20
	L 2-4				125							365																	
100L	2-4	160	196	205	140	180	63	100	12	160	12	445	215	180	250	15	4	130	110	160	M8	3,5	28	j6	60	8	24	M10	22
112M	2-4	190	222	230			70	112		183		453																	

MARELLI MOTORI reserves the right to change the design, technical specification and dimensions in order to update or improve its products without prior notice.