

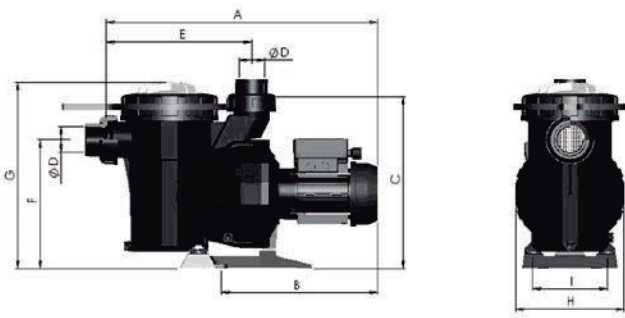
Bomba Victoria Plus

Victoria Plus Pump

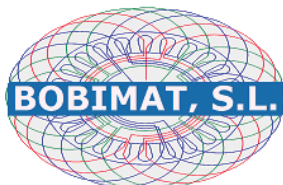
novedades
08 new

Modelo - Model

Código Code	Descripción Description	Emb.standard Standard Packing	Peso Kg Standard Standard Weight kg	Volumen m ³ Standard Standard Volume m ³
38769	10,000 l/h 0.37 kW (1/2 CV - HP) 230 V II	1	13,0	0,071
38770	10,000 l/h 0.43 kW (1/2 CV - HP) 230/400 V III	1	13,0	0,071
38771	11,000 l/h 0.61 kW (3/4 CV - HP) 230 V II	1	14,0	0,071
38772	11,000 l/h 0.60 kW (3/4 CV - HP) 230/400 V III	1	14,0	0,071
38773	16,000 l/h 0.78 kW (1 CV - HP) 230 V II	1	15,0	0,071
38774	16,000 l/h 0.76 kW (1 CV - HP) 230/400 V III	1	15,0	0,071
38775	21,500 l/h 1.10 kW (1.5 CV - HP) 230 V II	1	17,0	0,071
38776	21,500 l/h 1.10 kW (1.5 CV - HP) 230/400 V III	1	17,0	0,071
38777	26,000 l/h 1.50 kW (2 CV - HP) 230 V II	1	18,0	0,071
38778	26,000 l/h 1.46 kW (2 CV - HP) 230/400 V III	1	18,0	0,071
38779	34,000 l/h 2.20 kW (3 CV - HP) 230 V II	1	19,0	0,071
38780	34,000 l/h 2.20 kW (3 CV - HP) 230/400 V III	1	19,0	0,071
41224	8,000 l/h 0.25 kW (1/3 CV - HP) 230 V II	1	13,0	0,071



Código Code	CV	Dimensiones - Dimensions (mm)								
		A	B	C	D	E	F	G	H	I
38769	1/2 II	562	335	323	50	281	243	365	210	144,5
38770	1/2 III	562	335		50					
38771	3/4 II	562	335		50					
38772	3/4 III	562	335		50					
38773	1 II	562	335		50					
38774	1 III	562	335		50					
38775	1,5 II	592	366		63					
38776	1,5 III	592	366		63					
38777	2 II	592	366		63					
38778	2 III	592	366		63					
38779	3 II	674	414		75					
38780	3 III	592	366		75					
41224	1/3 II	562	335		50					



C/ Josep Calvet, 32
Pol.Ind. Pla d'en Boet
08302 Mataró
Barcelona
Tel: 93-798 05 36
Fax: 93-757 42 14
info@bobimat.com

ASTRALPOOL